



Online Data sheet

Encoder WDGI 58H

www.wachendorff-automation.com/wdgi58h

Wachendorff Automation

... systems and encoders

- Complete systems
- Industrial rugged encoders to suit your application
- Standard range and customer versions
- Maximum permissible loads
- 48-hour express production
- Made in Germany
- Worldwide distributor network

Encoder WDGI 58H

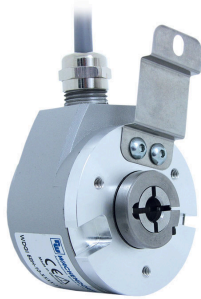


Illustration similar



- Rugged industrial standard encoder
- Housing cap die cast aluminum, with particularly eco-friendly powder coating
- Up to 25000 PPR by use of high grad electronics
- Thru-Bore
- High protection class IP65, with oil seal
- Maximum mechanical and electrical safety
- High noise immunity
- Full connection protection with 10 VDC up to 30 VDC
- High output frequency 600 kHz/2 MHz
- Optional: -40 °C up to +85 °C, Pressure equalising membrane

www.wachendorff-automation.com/wdgi58h

Resolution	
Pulses per revolution PPR	up to 25000 PPR

Mechanical Data	
Flange	hollow shaft (through-bored)
Flange material	aluminum
Housing material	die cast aluminum, powder coated
Torque supports	incl. 1 torque support WDGDS10001
- 1. Spring plate compensation	axial: ±0.8 mm [0.0315"], radial: ±0.2 mm [0.0079"]
- Max. operating speed	6000 rpm up to max. protection rating +60 °C
- 2. Cylinder pin 4 mm	needs accessories WDGDS10005
- Compensation	axial: ±0.5 mm [0.0197"], radial: ±1.5 mm [0.0591"], Max. operating speed: 3000 rpm
Flange diameter	Ø 58 mm [Ø 2.283"]

Shaft(s)	
Shaft material	stainless steel
Starting torque	approx. 2.2 Ncm [3.115 in-ozf] at ambient temperature
Fixing	permanently attached clamping ring
Shaft	Ø 6 mm [Ø 0.236"]
Advice	with adapter sleeve
Shaft length	L: 44.5 mm [1.752"]
Insertion depth min.	11 mm [0.433"]
Max. Permissible shaft loading radial	80 N [8.157 kp]
Max. Permissible shaft loading axial	60 N [6.118 kp]
Shaft	Ø 6.35 mm [Ø 1/4"] Order No: 2Z
Advice	with adapter sleeve
Shaft length	L: 44.5 mm [1.752"]
Insertion depth min.	11 mm [0.433"]
Max. Permissible shaft loading radial	80 N [8.157 kp]
Max. Permissible shaft loading axial	60 N [6.118 kp]
Shaft	Ø 7 mm [Ø 0.276"]
Advice	with adapter sleeve
Shaft length	L: 44.5 mm [1.752"]
Insertion depth min.	11 mm [0.433"]
Max. Permissible shaft loading radial	80 N [8.157 kp]

Max. Permissible shaft loading axial	60 N [6.118 kp]
Shaft	Ø 8 mm [Ø 0.315"]
Shaft length	L: 44.5 mm [1.752"]
Insertion depth min.	11 mm [0.433"]
Max. Permissible shaft loading radial	80 N [8.157 kp]
Max. Permissible shaft loading axial	60 N [6.118 kp]
Shaft	Ø 9.525 mm [Ø 3/8"] Order No: 4Z
Advice	with adapter sleeve
Shaft length	L: 44.5 mm [1.752"]
Insertion depth min.	11 mm [0.433"]
Max. Permissible shaft loading radial	80 N [8.157 kp]
Max. Permissible shaft loading axial	60 N [6.118 kp]
Shaft	Ø 10 mm [Ø 0.394"]
Shaft length	L: 44.5 mm [1.752"]
Insertion depth min.	11 mm [0.433"]
Max. Permissible shaft loading radial	80 N [8.157 kp]
Max. Permissible shaft loading axial	60 N [6.118 kp]
Shaft	Ø 12 mm [Ø 0.472"]
Shaft length	L: 44.5 mm [1.752"]
Insertion depth min.	11 mm [0.433"]
Max. Permissible shaft loading radial	80 N [8.157 kp]
Max. Permissible shaft loading axial	60 N [6.118 kp]
Shaft	Ø 12.7 mm [Ø 1/2"] Order No. 3Z
Shaft length	L: 44.5 mm [1.752"]
Insertion depth min.	11 mm [0.433"]
Max. Permissible shaft loading radial	80 N [8.157 kp]
Max. Permissible shaft loading axial	60 N [6.118 kp]
Shaft	Ø 14 mm [Ø 0.551"]
Shaft length	L: 44.5 mm [1.752"]
Insertion depth min.	11 mm [0.433"]
Max. Permissible shaft loading radial	80 N [8.157 kp]

Max. Permissible shaft loading axial	60 N [6.118 kp]
Shaft	Ø 15 mm [Ø 0.591"]
Shaft length	L: 44.5 mm [1.752"]
Insertion depth min.	11 mm [0.433"]
Max. Permissible shaft loading radial	80 N [8.157 kp]
Max. Permissible shaft loading axial	60 N [6.118 kp]

Bearings

Bearings type	2 precision ball bearings
Nominal service life	1 x 10 ⁹ revs. at 100 % rated shaft load 1 x 10 ¹⁰ revs. at 40 % rated shaft load 1 x 10 ¹¹ revs. at 20 % rated shaft load
Max. operating speed	6000 rpm

Machinery Directive: basic data safety integrity level

MTTF _d	200 a
Mission time (TM)	25 a
Nominal service life (L10h)	1 x 10 ¹¹ revs. at 20 % rated shaft load and 6000 rpm
Diagnostic coverage (DC)	0 %

Electrical Data

Power supply/Current consumption	4,75 VDC up to 5,5 VDC: typ. 70 mA (100 mA only F05, P05)
Power supply/Current consumption	5 VDC up to 30 VDC: typ. 70 mA
Power supply/Current consumption	10 VDC up to 30 VDC: typ. 70 mA (100 mA only F24, P24, 645)
Operating principle	optical
Output circuit	TTL TTL, RS422 compatible, inv. HTL HTL, inv. 1 V _{pp} sin/cos
Pulse frequency	TTL 5000 ppr: max. 200 kHz HTL 5000 ppr: max. 200 kHz TTL more than 1200 ppr: max. 2 MHz HTL more than 1200 ppr: max. 600 kHz 1 V _{pp} sin/cos: max. 100 kHz
Channels	AB ABN and inverted signals
Load	max. 40 mA / channel @ 1 V _{pp} sin/cos: min. 120 Ohm
Circuit protection	circuit type F24, H24, P24, R24 only

Accuracy

Phase offset	90° ± max. 7.5 % of the period duration
pulse-/pause-ratio	5000 ppr: 50 % ± max. 7 % Output circuits F24, P24, F05, P05, 645: 50 % ± max. 10 %

Environmental data

ESD (DIN EN 61000-4-2):	8 kV
Burst (DIN EN 61000-4-4):	2 kV
includes EMC:	DIN EN 61000-6-2 DIN EN 61000-6-3
Vibration: (DIN EN 60068-2-6)	50 m/s ² (10 Hz up to 2000 Hz)
Shock: (DIN EN 60068-2-27)	1000 m/s ² (6 ms)
Electrical Safety:	according DIN VDE 0160

Duty information

Customs tariff number:	90318020
Country of origin:	Germany

General Data

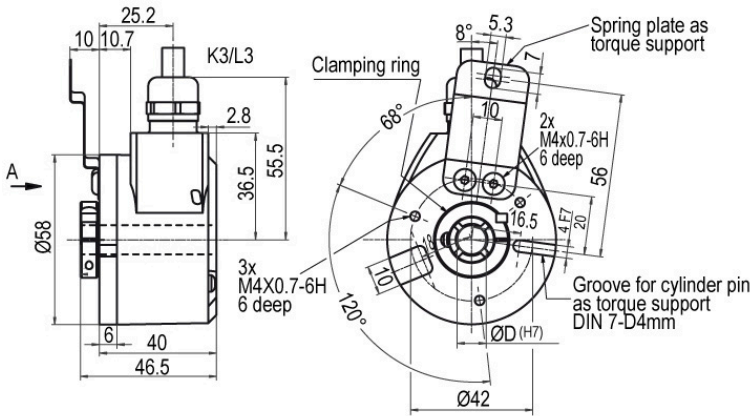
Weight	approx. 220 g [7.76 oz]
Connections	cable or connector, radial
Protection rating (EN 60529)	IP65 all around
Operating temperature	Connector: -40 °C up to +85 °C, Cable: -20 °C up to +80 °C (Option ACA: -40 °C up to +85 °C). Connector: -40 °F up to +185 °F, Cable: -4 °F up to +176 °F, Option ACA: -40 °F up to +185 °F 1 V _{pp} : -10 °C up to +70 °C [+14 °F up to +158 °F]
Storage temperature	Connector: -40 °C up to +85 °C, Cable: -30 °C up to +80 °C (Option ACA: -40 °C up to +85 °C) Connector: -40 °F up to +185 °F, cable: -22 °F up to +176 °F, (Option ACA: -40 °F up to +185 °F)

More Information

General technical data and safety instructions
<http://www.wachendorff-automation.com/gtd>

Options
<http://www.wachendorff-automation.com/acc>

WDGI 58H: Cable connection K3, L3, radial, with 2 m cable



Description

K3	radial, shield not connected
L3	radial, shield connected to encoder housing

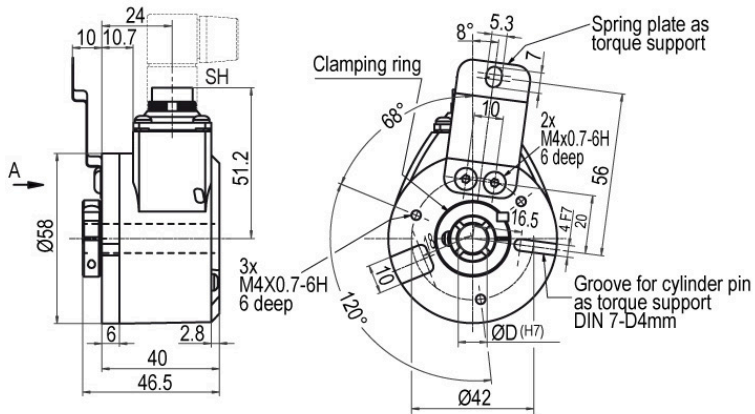
ABN inv. poss.

-
-

Assignments

	K3, L3	K3, L3	L3
Circuit	F05, H05, F24, H24, H30	P05, R05, P24, R24, 245, 645, R30	SIN
GND	WH	WH	WH
(+) Vcc	BN	BN	BN
A	GN	GN	GN
B	YE	YE	GY
N	GY	GY	-
-	-	-	-
A inv.	-	RD	YE
B inv.	-	BK, (BU at ACA)	PK
N inv.	-	VT	-
Shield	flex	flex	flex

WDGI 58H: Connector (M16x0.75) SH, radial, 5-, 6-, 8-, 12-pin



Description

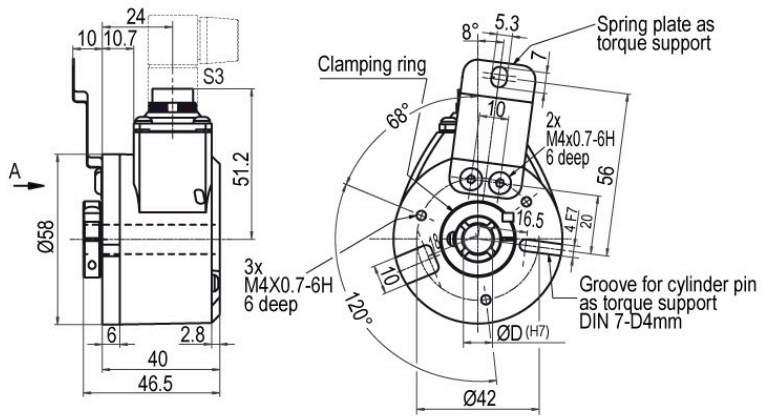
ABN inv. poss.

SH5	radial, 5-pin, Connector connected to encoder housing	-
SH6	radial, 6-pin, Connector connected to encoder housing	-
SH8	radial, 8-pin, Connector connected to encoder housing	•
SH12	radial, 12-pin, Connector connected to encoder housing	•

Assignments

	SH5 5-pin	SH6 6-pin	SH8 8-pin	SH12 12-pin	SH12 12-pin	SH8 8-pin
Circuit	F05, H05, F24, H24, H30	F05, H05, F24, H24, H30	P05, R05, P24, R24, R30, 245, 645	P05, R05, P24, R24, 245, 645, R30	SIN	SIN
GND	1	6	1	K, L	K, L	1
(+) Vcc	2	1	2	M, B	M, B	2
A	3	2	3	E	E	3
B	4	4	4	H	H	4
N	5	3	5	C	-	-
-	-	-	-	-	-	-
A inv.	-	-	6	F	F	6
B inv.	-	-	7	A	A	7
N inv.	-	-	8	D	-	-
n. c.	-	5	-	G, J	D, G, J	5, 8
Shield	-	-	-	-	-	-

WDGI 58H: Connector (M16x0.75) S3, radial, 7-pin




Description

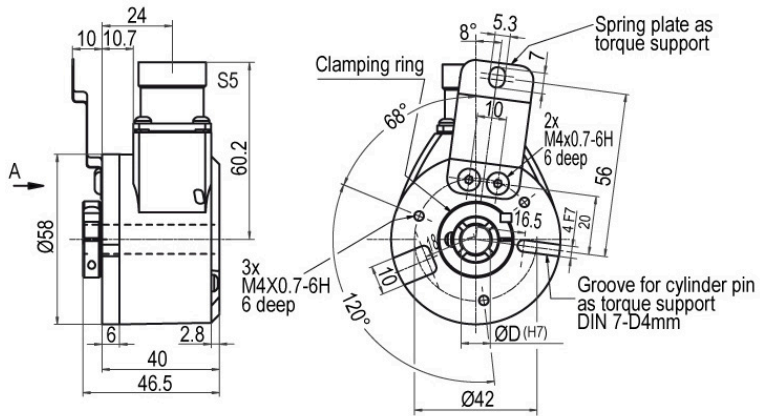
ABN inv. poss.

S3 radial, 7-pin, Connector connected to encoder housing

-

Assignments	
	S3
	7-pin
	
Circuit	F05, H05, F24, H24, H30
GND	1
(+) Vcc	2
A	3
B	4
N	5
-	-
A inv.	-
B inv.	-
N inv.	-
n. c.	6, 7
Shield	-

WDGI 58H: Connector (M23) S5, radial, 12-pin

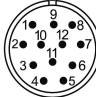
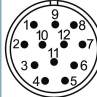
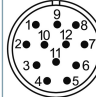


Description

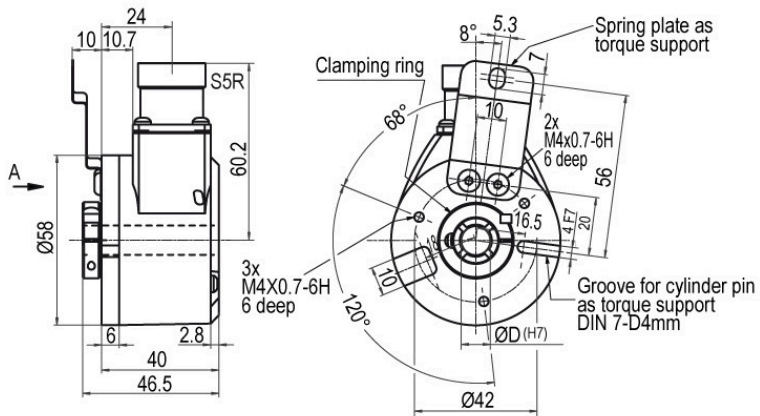
ABN inv. poss.

S5 radial, 12-pin, Connector connected to encoder housing

•

Assignments			
	S5	S5	S5
	12-pin	12-pin	12-pin
			
Circuit	F05, H05, F24, H24, H30	P05, R05, P24, R24, 245, 645, R30	SIN
GND	10	10	10
(+) Vcc	12	12	12
A	5	5	5
B	8	8	8
N	3	3	-
-	-	-	-
A inv.	-	6	6
B inv.	-	1	1
N inv.	-	4	-
n. c.	1, 2, 4, 6, 7, 9, 11	2, 7, 9, 11	2, 3, 4, 7, 9, 11
Shield	-	-	-

WDGI 58H: Connector (M23) S5R, radial, 12-pin (clockwise)



Description

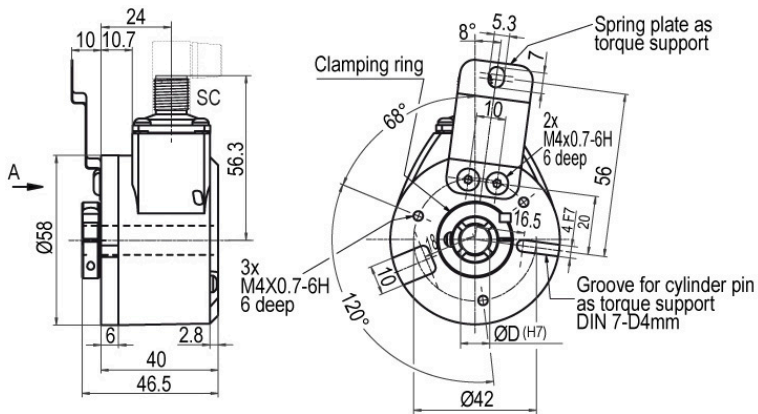
S5R radial, 12-pin, Connector connected to encoder housing

ABN inv. poss.

•

Assignments			
	S5R	S5R	S5R
	12-pin	12-pin	12-pin
Circuit	F05, H05, F24, H24, H30	P05, R05, P24, R24, 245, 645, R30	SIN
GND	10	10	10
(+) Vcc	12	12	12
A	5	5	5
B	8	8	8
N	3	3	-
-	-	-	-
A inv.	-	6	6
B inv.	-	1	1
N inv.	-	4	-
n. c.	1, 2, 4, 6, 7, 9, 11	2, 7, 9, 11	2, 3, 4, 7, 9, 11
Shield	-	-	-

WDGI 58H: Sensor-connector (M12x1) SC, radial, 4-, 5-, 8-, 12-pin



Description

		ABN inv. poss.
SC4	radial, 4-pin, Connector connected to encoder housing	-
SC5	radial, 5-pin, Connector connected to encoder housing	-
SC8	radial, 8-pin, Connector connected to encoder housing	•
SC12	radial, 12-pin, Connector connected to encoder housing	•

Assignments					
	SC4	SC5	SC8	SC8	SC12
	4-pin	5-pin	8-pin	8-pin	12-pin
Circuit	F05, H05, F24, H24, H30	F05, H05, F24, H24, H30	P05, R05, P24, R24, R30, 245, 645	SIN	P05, R05, P24, R24, 245, 645, R30
GND	3	3	1	1	3
(+) Vcc	1	1	2	2	1
A	2	4	3	3	4
B	4	2	4	5	6
N	-	5	5	-	8
-	-	-	-	-	-
A inv.	-	-	6	4	9
B inv.	-	-	7	6	7
N inv.	-	-	8	-	10
n. c.	-	-	-	7, 8	2, 5, 11, 12
Shield	-	-	-	-	-

Options**Low temperature**

The encoder WDGI 58H with the output circuit types F24, H24, P24, R24, F05, H05, P05, R05, 245, 645 is also available with the extended temperature range -40 °C up to +85 °C [-40 °F up to +185 °F] (measured at the flange).

Order key**ACA****Pressure equalising membrane**

The WDGI 58H shaft encoder is also optionally available with a pressure equalising membrane. This prevents water from penetrating into the encoder housing in the case of high air humidity.

The IP67 protection level, temperature range and salt spray resistance are maintained. Resistant to chemicals and solvents in accordance with DIN EN ISO 2812-1.

Order key**ACR****Cable length**

The encoder WDGI 58H can be supplied with more than 2 m cable. The maximum cable length depends on the supply voltage and the frequency; see <https://www.wachendorff-automation.com/download-gtd-incremental-encoders/>

Please extend the standard order code with a three figure number, specifying the cable length in decimetres.

Example: 5 m cable = 050

Order key**XXX = Decimeter**

Example Order No.	Type				Your encoder
WDGI 58H	WDGI 58H				WDGI 58H
Bore size					
10	06; 2Z; 07; 08; 4Z; 10; 12; 3Z; 14; 15				
Pulses per revolution PPR:					
1024	4, 6, 25, 36, 50, 60, 64, 70, 88, 100, 120, 125, 150, 180, 200, 240, 250, 256, 300, 314, 360, 400, 500, 512, 600, 720, 750, 768, 800, 900, 1000, 1024, 1200, 1250, 1270, 1500, 1800, 2000, 2048, 2500, 3000, 3600, 4000, 4096, 5000, 8000, 8192, 10000, 10240, 12500, 16384, 20000, 20480, 25000 1 Vpp Sin/Cos only 1024, 2048 Other PPRs on request				
Channels:					
ABN	AB, ABN (SIN: AB)				
Output circuit					
H24	Resolution PPR	Power supply VDC	Output circuit	-	Order key
	up to 2500	5 - 30	HTL (TTL at 5 VDC)	-	H30
		5 - 30	HTL, inv. (TTL/RS422 comp. at 5 VDC)	-	R30
	up to 5000	4.75 - 5.5	TTL	-	H05
		4.75 - 5.5	TTL, RS422 comp., inverted	-	R05
		10 - 30	HTL	-	H24
		10 - 30	HTL inverted	-	R24
	(higher frequency) 1200 up to 25000	10 - 30	TTL, RS422 comp., inverted	-	245
		4.75 - 5.5	TTL	-	F05
		4.75 - 5.5	TTL, RS422 comp., inverted	-	P05
		10 - 30	HTL	-	F24
		10 - 30	HTL inverted	-	P24
		10 - 30	TTL, RS422 comp., inverted	-	645
	1024, 2048	4.75 - 5.5	1 Vpp sin/cos	-	SIN
Electrical connections					
K3	Description			ABN inv. poss.	Order key
	Cable: length (2 m standard, WDG 58T: 1 m)				
	radial, shield not connected			•	K3
	radial, shield connected to encoder housing			•	L3
	Connector: (shield connected to encoder housing)				
	connector, M16x0.75, 5-pin, radial			-	SH5
	connector, M16x0.75, 6-pin, radial			-	SH6
	connector, M16x0.75, 8-pin, radial			•	SH8
	connector, M16x0.75, 12-pin, radial			•	SH12
	connector, M16x0.75, 7-pin, radial			-	S3
	connector, M23, 12-pin, radial			•	S5
	connector, clockwise pin count, M23, 12-pin, radial			•	S5R
	sensor-connector, M12x1, 4-pin, radial			-	SC4
	sensor-connector, M12x1, 5-pin, radial			-	SC5
	sensor-connector, M12x1, 8-pin, radial			•	SC8
	sensor-connector, M12x1, 12-pin, radial			•	SC12
Options					
Description			Order key		
Low temperature			ACA		
Pressure equalising membrane			ACR		
Without option			Empty		
Cable length			XXX = Decimeter		

Example Order No. =	WDGI 58H	10	1024	ABN	H24	K3									Your encoder
----------------------------	----------	----	------	-----	-----	----	--	--	--	--	--	--	--	--	---------------------



For further information please contact our local distributor.
Here you find a list of our distributors worldwide.
<https://www.wachendorff-automation.com/contact-en/wachendorff-world-wide/>

WACHENDORFF

Wachendorff Automation GmbH & Co. KG
Industriestrasse 7 • 65366 Geisenheim
Germany

Phone: +49 67 22 / 99 65 25
E-Mail: wdg@wachendorff.de
www.wachendorff-automation.de

