



Online Data sheet

Encoder WDG 145H

www.wachendorff-automation.com/wdg145h

Wachendorff Automation

... systems and encoders

- Complete systems
- Industrial rugged encoders to suit your application
- Standard range and customer versions
- Maximum permissible loads
- 48-hour express production
- Made in Germany
- Worldwide distributor network

Encoder WDG 145H



Illustration similar



- Thru-bore encoder for direct installation on large electric motors
- Maximum mechanical and electrical safety
- Highly interference-resistant when used with frequency converters
- Meets protection class IP54, optional IP64
- Full connection protection with 10 VDC up to 30 VDC
- With light reserve warning

www.wachendorff-automation.com/wdg145h

Resolution	
Pulses per revolution PPR	up to 2500 PPR
Mechanical Data	
Flange	hollow shaft (through-bored)
Flange material	aluminum
Housing material	aluminum
Torque supports	incl. 3 torque supports WDGDS10001
- 1. Spring plate compensation	axial: ± 0.8 mm [0.0315"], radial: ± 0.2 mm [0.0079"]
- 2. Cylinder pin 4 mm	needs accessories WDGDS10005
- Compensation	axial: ± 0.5 mm [0.0197"], radial: ± 1.5 mm [0.0591"], Max. operating speed: 800 rpm
Flange diameter	\varnothing 145 mm [\varnothing 4.528"]
Shaft(s)	
Shaft material	stainless steel
Starting torque	approx. 1.5 Ncm [2.124 in-ozf] at ambient temperature
Fixing	permanently attached clamping ring
Shaft	\varnothing 45 mm [\varnothing 1.772"]
Shaft length	L: 59 mm [2.323"]
Insertion depth min.	69 mm [2.717"]
Max. Permissible shaft loading radial	200 N [20.394 kp]
Max. Permissible shaft loading axial	100 N [10.197 kp]
Shaft	\varnothing 48 mm [\varnothing 1.89"]
Shaft length	L: 59 mm [2.323"]
Insertion depth min.	69 mm [2.717"]
Max. Permissible shaft loading radial	200 N [20.394 kp]
Max. Permissible shaft loading axial	100 N [10.197 kp]
Shaft	\varnothing 50 mm [\varnothing 1.969"]
Shaft length	L: 59 mm [2.323"]
Insertion depth min.	69 mm [2.717"]
Max. Permissible shaft loading radial	200 N [20.394 kp]
Max. Permissible shaft loading axial	100 N [10.197 kp]
Shaft	\varnothing 55 mm [\varnothing 2.165"]
Shaft length	L: 59 mm [2.323"]
Insertion depth min.	69 mm [2.717"]

Max. Permissible shaft loading radial	200 N [20.394 kp]
Max. Permissible shaft loading axial	100 N [10.197 kp]
Shaft	\varnothing 60 mm [\varnothing 2.362"]
Shaft length	L: 59 mm [2.323"]
Insertion depth min.	69 mm [2.717"]
Max. Permissible shaft loading radial	200 N [20.394 kp]
Max. Permissible shaft loading axial	100 N [10.197 kp]
Shaft	\varnothing 65 mm [\varnothing 2.56"]
Shaft length	L: 59 mm [2.323"]
Insertion depth min.	69 mm [2.717"]
Max. Permissible shaft loading radial	200 N [20.394 kp]
Max. Permissible shaft loading axial	100 N [10.197 kp]
Shaft	\varnothing 72 mm [\varnothing 2.835"]
Shaft length	L: 59 mm [2.323"]
Insertion depth min.	69 mm [2.717"]
Max. Permissible shaft loading radial	200 N [20.394 kp]
Max. Permissible shaft loading axial	100 N [10.197 kp]
Bearings	
Bearings type	2 precision ball bearings
Nominale service life	3 x 10 ¹⁰ revs. at 100 % rated shaft load 4 x 10 ¹¹ revs. at 40 % rated shaft load 3 x 10 ¹² revs. at 20 % rated shaft load
Max. operating speed	1600 min ⁻¹ (with cylinder pin 800 min ⁻¹)
Machinery Directive: basic data safety integrity level	
MTTF _d	200 a
Mission time (TM)	25 a
Nominale service life (L10h)	3 x 10 ¹² revs. at 20 % rated shaft load and 1600 min ⁻¹ (with cylinder pin 800 min ⁻¹)
Diagnostic coverage (DC)	0 %
Electrical Data	
Power supply/Current consumption	4,75 VDC up to 5,5 VDC: typ. 70 mA

Power supply/Current consumption	10 VDC up to 30 VDC: typ. 70 mA
Operating principle	optical
Output circuit	TTL TTL, RS422 compatible, inv. HTL HTL, inv.
Pulse frequency	TTL 2500 ppr: max. 200 kHz HTL 2500 ppr: max. 200 kHz
Channels	AB ABN and inverted signals
Load	max. 40 mA / channel
Circuit protection	circuit type H24 and R24 only

Accuracy

Phase offset	90° ± max. 7.5 % of the period duration
pulse-/pause-ratio	50 % ± max. 7 %

Environmental data

ESD (DIN EN 61000-4-2):	8 kV
Burst (DIN EN 61000-4-4):	2 kV
includes EMC:	DIN EN 61000-6-2 DIN EN 61000-6-3
Vibration: (DIN EN 60068-2-6)	50 m/s ² (10 Hz up to 2000 Hz)
Shock: (DIN EN 60068-2-27)	1000 m/s ² (6 ms)
Electrical Safety:	according DIN VDE 0160

Duty information

Customs tariff number:	90318020
Country of origin:	Germany

General Data

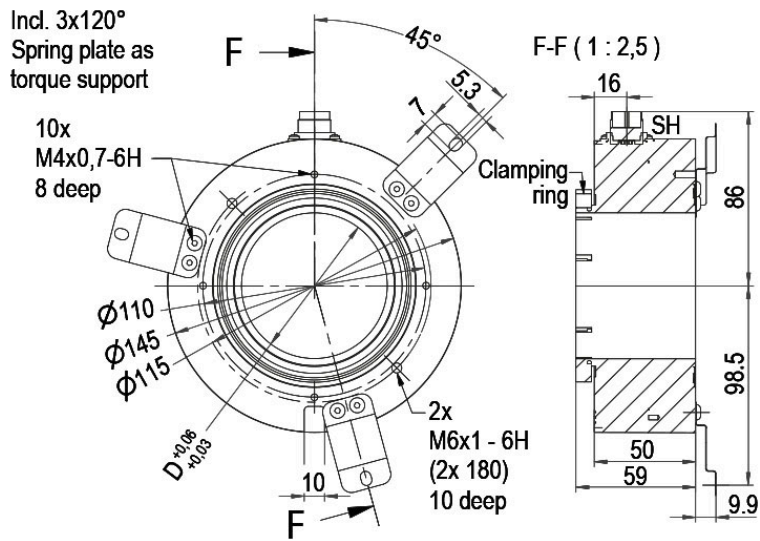
Weight	approx. 1700 g [59.965 oz] up to 2500 g [88.183 oz]
Connections	cable or connector, radial
Protection rating (EN 60529)	IP54
Operating temperature	-20 °C up to +80 °C [-4 °F up to +176 °F]
Storage temperature	-30 °C up to +80 °C [-22 °F up to 176 °F]

More Information

General technical data and safety instructions
<http://www.wachendorff-automation.com/gtd>

Options
<http://www.wachendorff-automation.com/acc>

Connector (M16x0.75) SH, 5-, 6-, 8-, 12-pin



Description

SH5	radial, 5-pin, Connector connected to encoder housing
SH6	radial, 6-pin, Connector connected to encoder housing
SH8	radial, 8-pin, Connector connected to encoder housing
SH12	radial, 12-pin, Connector connected to encoder housing

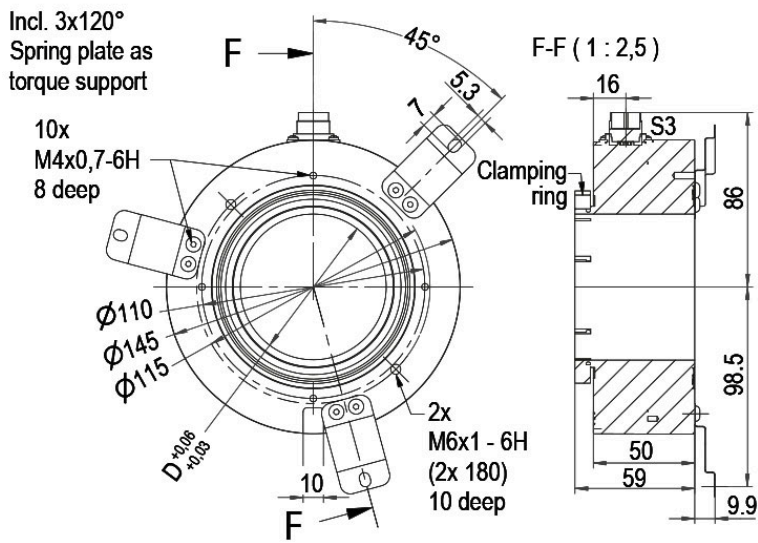
ABN inv. poss.

-
-
-
-

Assignments

	SH5	SH6	SH8	SH12
	5-pin	6-pin	8-pin	12-pin
Circuit	H05, H24	H05, H24	R05, R24	R05, R24
GND	1	6	1	K, L
(+) Vcc	2	1	2	M, B
A	3	2	3	E
B	4	4	4	H
N	5	3	5	C
-	-	-	-	-
A inv.	-	-	6	F
B inv.	-	-	7	A
N inv.	-	-	8	D
n. c.	-	5	-	G, J
Shield	-	-	-	-

Connector (M16x0.75) S3, 7-pin

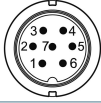


Description

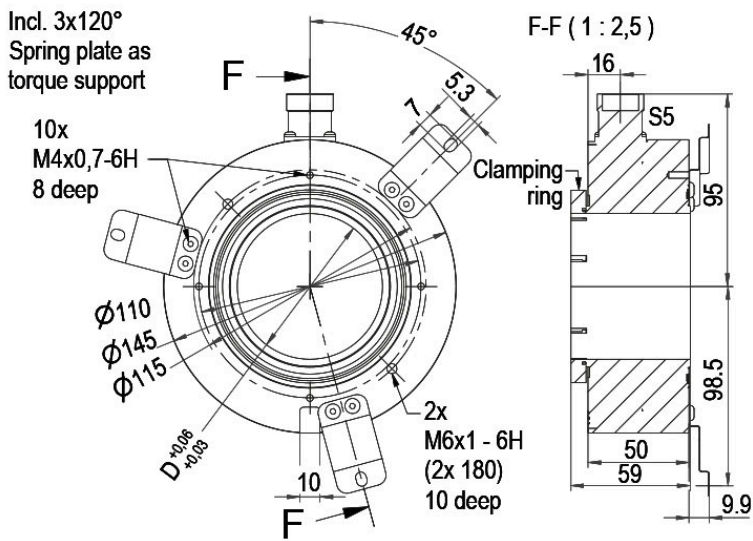
ABN inv. poss.

S3 radial, 7-pin, Connector connected to encoder housing

-

Assignments	
	S3
	7-pin
	
Circuit	H05, H24
GND	1
(+) Vcc	2
A	3
B	4
N	5
-	-
A inv.	-
B inv.	-
N inv.	-
n. c.	6, 7
Shield	-

Connector (M23) S5, 12-pin



Description

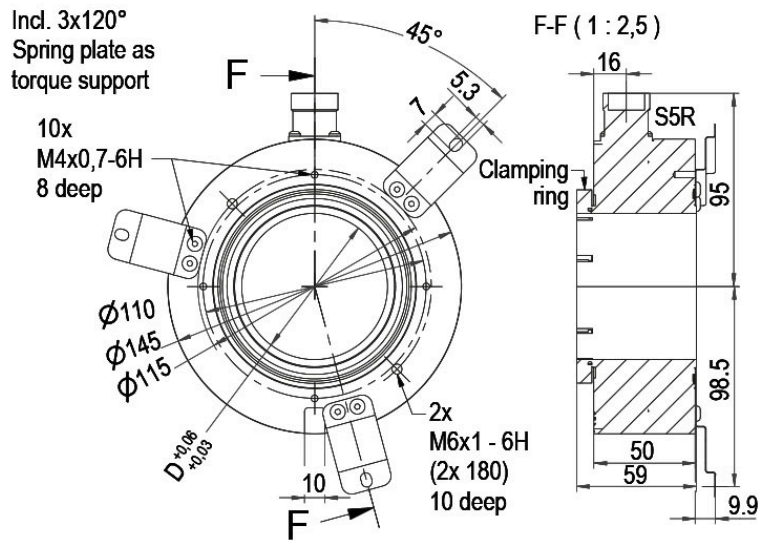
ABN inv. poss.

S5 radial, 12-pin, Connector connected to encoder housing

•

Assignments		
	S5	S5
	12-pin	12-pin
Circuit	H05, H24	R05, R24
GND	10	10
(+) Vcc	12	12
A	5	5
B	8	8
N	3	3
-	-	-
A inv.	-	6
B inv.	-	1
N inv.	-	4
n. c.	1, 2, 4, 6, 7, 9, 11	2, 7, 9, 11
Shield	-	-

Connector (M23) S5R, 12-pin (clockwise)



Description

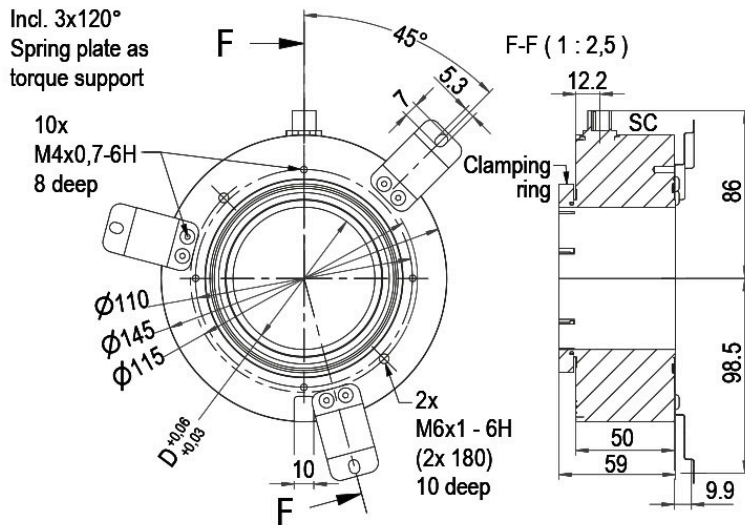
ABN inv. poss.

S5R radial, 12-pin, Connector connected to encoder housing

•

Assignments		
	S5R 12-pin	S5R 12-pin
Circuit	H05, H24	R05, R24
GND	10	10
(+) Vcc	12	12
A	5	5
B	8	8
N	3	3
-	-	-
A inv.	-	6
B inv.	-	1
N inv.	-	4
n. c.	1, 2, 4, 6, 7, 9, 11	2, 7, 9, 11
Shield	-	-

Sensor-connector (M12x1) SC, 4-, 5-, 8-, 12-pin



Description	ABN inv. poss.
SC4 radial, 4-pin, Connector connected to encoder housing	-
SC5 radial, 5-pin, Connector connected to encoder housing	-
SC8 radial, 8-pin, Connector connected to encoder housing	•
SC12 radial, 12-pin, Connector connected to encoder housing	•

Assignments				
	SC4	SC5	SC8	SC12
	4-pin	5-pin	8-pin	12-pin
Circuit	H05, H24	H05, H24	R05, R24	R05, R24
GND	3	3	1	3
(+) Vcc	1	1	2	1
A	2	4	3	4
B	4	2	4	6
N	-	5	5	8
-	-	-	-	-
A inv.	-	-	6	9
B inv.	-	-	7	7
N inv.	-	-	8	10
n. c.	-	-	-	2, 5, 11, 12
Shield	-	-	-	-

Options

IP64 all around

The encoder WDG 145H can be supplied in a full IP64 version.

Order key

AEK

Max. RPM: 500 rpm

Starting-torque: approx. 5 Ncm [7.081 in-ozf] at ambient temperature

Cable length

The encoder WDG 145H can be supplied with more than 2 m cable. The maximum cable length depends on the supply voltage and the frequency; see <https://www.wachendorff-automation.com/download-gtd-incremental-encoders/>

Please extend the standard order code with a three figure number, specifying the cable length in decimetres.

Example: 5 m cable = 050

Order key

XXX = Decimeter

Example Order No.	Type				Your encoder
WDG 145H	WDG 145H				WDG 145H
Bore size					
65	45; 48; 50; 55; 60; 65; 72				
Pulses per revolution PPR:					
1024	1024, 2500 Other PPRs on request				
Channels:					
ABN	AB, ABN				
Output circuit					
H24	Resolution PPR	Power supply VDC	Output circuit	-	Order key
	1024, 2500	4.75 - 5.5	TTL	-	H05
		4.75 - 5.5	TTL, RS422 comp., inverted	-	R05
		10 - 30	HTL	-	H24
10 - 30		HTL inverted	-	R24	
Electrical connections					
K3	Description			ABN inv. poss.	Order key
	Cable: length (2 m standard, WDG 58T: 1 m)				
	radial, shield not connected			•	K3
	radial, shield connected to encoder housing			•	L3
	Connector: (shield connected to encoder housing)				
	connector, M16x0.75, 5-pin, radial			-	SH5
	connector, M16x0.75, 6-pin, radial			-	SH6
	connector, M16x0.75, 8-pin, radial			•	SH8
	connector, M16x0.75, 12-pin, radial			•	SH12
	connector, M16x0.75, 7-pin, radial			-	S3
	connector, M23, 12-pin, radial			•	S5
	connector, clockwise pin count, M23, 12-pin, radial			•	S5R
	sensor-connector, M12x1, 4-pin, radial			-	SC4
	sensor-connector, M12x1, 5-pin, radial			-	SC5
	sensor-connector, M12x1, 8-pin, radial			•	SC8
sensor-connector, M12x1, 12-pin, radial			•	SC12	
Options					
	Description			Order key	
	IP64			AEK	
	Without option			Empty	
	Cable length			XXX = Decimeter	

Example Order No.=	WDG 145H	65	1024	ABN	H24	K3		WDG 145H						Your encoder
---------------------------	----------	----	------	-----	-----	----	--	----------	--	--	--	--	--	---------------------



For further information please contact our local distributor.
Here you find a list of our distributors worldwide.
<https://www.wachendorff-automation.com/contact-en/wachendorff-world-wide/>

WACHENDORFF

Wachendorff Automation GmbH & Co. KG
Industriestrasse 7 • 65366 Geisenheim
Germany

Phone: +49 67 22 / 99 65 25
E-Mail: wdg@wachendorff.de
www.wachendorff-automation.de

