



# Online Data sheet

## Encoder WDGI 36S

[www.wachendorff-automation.com/wdgi36s](http://www.wachendorff-automation.com/wdgi36s)

### **Wachendorff Automation**

#### **... systems and encoders**

- Complete systems
- Industrial rugged encoders to suit your application
- Standard range and customer versions
- Maximum permissible loads
- 48-hour express production
- Made in Germany
- Worldwide distributor network

# Encoder WDGI 36S



Illustration similar



- Compact and robust
- All pulse numbers from 1 to 16.384 ppr available
- Robust construction for industrial use
- Protection to IP67, shaft sealed to IP65

[www.wachendorff-automation.com/wdgi36s](http://www.wachendorff-automation.com/wdgi36s)

Resolution	
Pulses per revolution PPR	1 PPR up to 16384 PPR

Mechanical Data	
<b>Housing</b>	
Flange	screw flange
Starting torque nut	max. 10 Nm
Flange material	aluminum, incl. nut M20 x 1.5
Housing cap	stainless steel
Housing	Ø 36 mm

Shaft(s)	
Shaft material	stainless steel
Starting torque	approx. 0.3 Ncm at ambient temperature
Shaft	Ø 6 mm
Shaft length	L: 11.5 mm
Max. Permissible shaft loading radial	80 N
Max. Permissible shaft loading axial	50 N

Bearings	
Bearings type	2 precision ball bearings
Nominal service life	1.4 x 10 <sup>8</sup> revs. at 100 % rated shaft load 2 x 10 <sup>9</sup> revs. at 40 % rated shaft load 1.7 x 10 <sup>10</sup> revs. at 20 % rated shaft load
Max. operating speed	12000 rpm

Machinery Directive: basic data safety integrity level	
MTTF <sub>d</sub>	2200 a
Mission time (TM)	25 a
Nominal service life (L10h)	1.7 x 10 <sup>10</sup> revs. at 20 % rated shaft load and 12000 rpm
Diagnostic coverage (DC)	0 %

Electrical Data	
Power supply/Current consumption	4.75 VDC up to 30 VDC: typ. 40 mA
Operating principle	magnetic
Output circuit	HTL (TTL at 5 VDC) HTL, inv. (TTL/RS422 comp. at 5 VDC)
Pulse frequency	HTL up to 16384 ppr: max. 600 kHz TTL up to 16384 ppr: max. 1 MHz

Channels	ABN and inverted signals
Load	max. 40 mA / channel
Circuit protection	inverse-polarity and short-circuit protection

Accuracy	
Phase offset	90° ± max. 7.5 % of the period duration
pulse-/pause-ratio	50 % ± max. 7 %

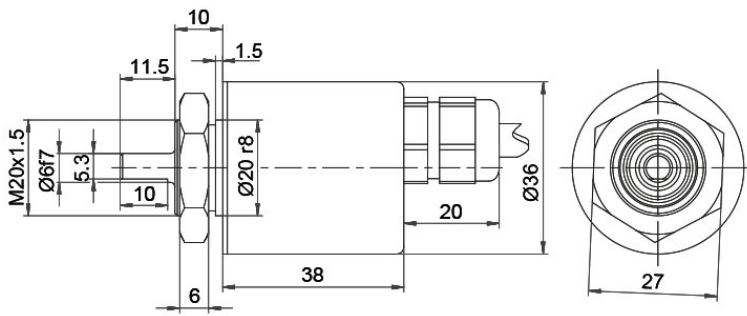
Environmental data	
ESD (DIN EN 61000-4-2):	8 kV
Burst (DIN EN 61000-4-4):	2 kV
includes EMC:	DIN EN 61000-6-2 DIN EN 61000-6-3
Vibration: (DIN EN 60068-2-6)	50 m/s <sup>2</sup> (10 Hz up to 2000 Hz)
Shock: (DIN EN 60068-2-27)	1000 m/s <sup>2</sup> (6 ms)
Electrical Safety:	according DIN VDE 0160

Duty information	
Customs tariff number:	90318020
Country of origin:	Germany

General Data	
Weight	approx. 130 g
Connections	cable or connector outlet
Protection rating (EN 60529)	Housing: IP65, IP67; shaft sealed: IP65; cable outlet K1: IP40
Operating temperature	Connector: -40 °C up to +85 °C, cable: -20 °C up to +80 °C, (Option ACA: -40 °C up to +85 °C)
Storage temperature	Connector: -40 °C up to +85 °C, cable: -30 °C up to +80 °C (option ACA: -40 °C up to +85 °C)

More Information	
General technical data and safety instructions <a href="http://www.wachendorff-automation.com/gtd">http://www.wachendorff-automation.com/gtd</a>	
Options <a href="http://www.wachendorff-automation.com/acc">http://www.wachendorff-automation.com/acc</a>	

**Cable connection L2 axial with 2 m cable**



**Description**

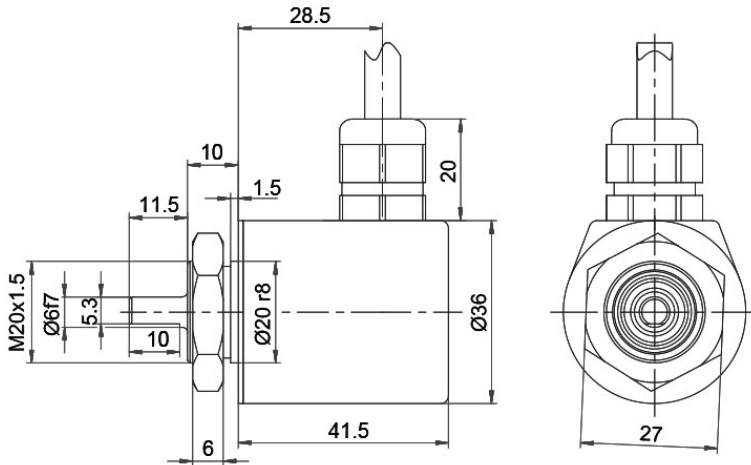
**ABN inv. poss.**

**L2** axial, shield connected to encoder housing

•

Assignments		
	L2	L2
<b>Circuit</b>	N35	M35
<b>GND</b>	WH	WH
<b>(+) Vcc</b>	BN	BN
<b>A</b>	GN	GN
<b>B</b>	YE	YE
<b>N</b>	GY	GY
<b>-</b>	-	-
<b>A inv.</b>	-	RD
<b>B inv.</b>	-	BK, (BU at ACA)
<b>N inv.</b>	-	VT
<b>Shield</b>	flex	flex

**Cable connection L3 radial with 2 m cabel**



**Description**

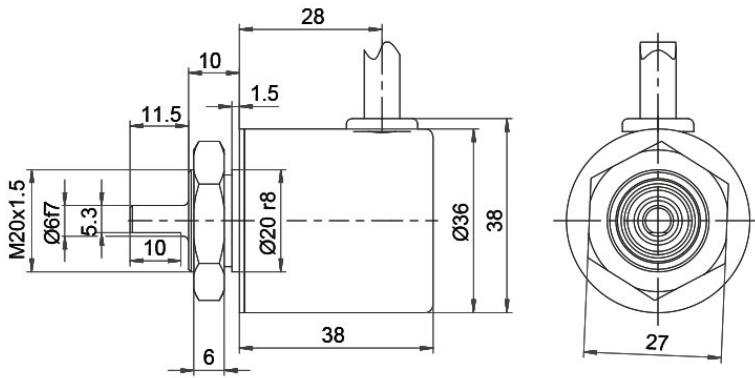
ABN inv. poss.

**L3** radial, shield connected to encoder housing

•

Assignments		
	L3	L3
Circuit	N35	M35
GND	WH	WH
(+) Vcc	BN	BN
A	GN	GN
B	YE	YE
N	GY	GY
-	-	-
A inv.	-	RD
B inv.	-	BK, (BU at ACA)
N inv.	-	VT
Shield	flex	flex

**Cable K1 (IP40) radial with 2 m cable**



**Description**

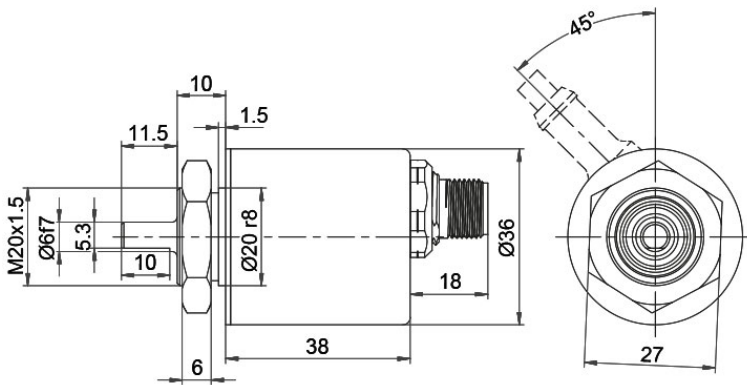
**ABN inv. poss.**

**K1** radial, shield not connected (IP40)

•

Assignments		
	K1	K1
<b>Circuit</b>	N35	M35
<b>GND</b>	WH	WH
<b>(+) Vcc</b>	BN	BN
<b>A</b>	GN	GN
<b>B</b>	YE	YE
<b>N</b>	GY	GY
<b>-</b>	-	-
<b>A inv.</b>	-	RD
<b>B inv.</b>	-	BK
<b>N inv.</b>	-	VT
<b>Shield</b>	flex	flex


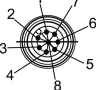
**Sensor connector (M12x1) SB axial, 5-, 8-, 12-pin**



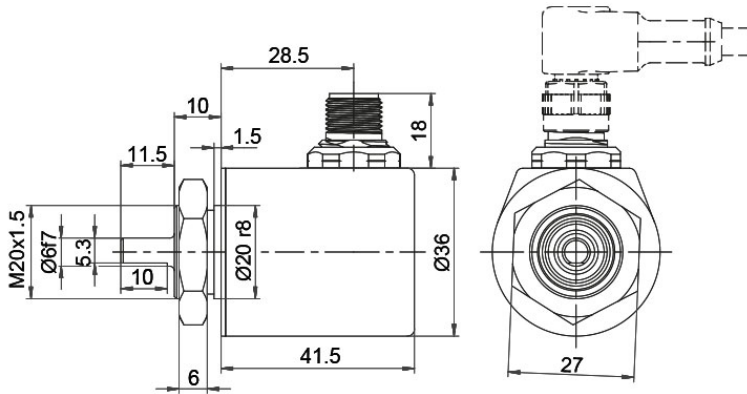
**Description**

**ABN inv. poss.**

<b>SB5</b>	axial, 5-pin, Connector connected to encoder housing	-
<b>SB8</b>	axial, 8-pin, Connector connected to encoder housing	•

Assignments		
	<b>SB5</b>	<b>SB8</b>
	<b>5-pin</b>	<b>8-pin</b>
		
<b>Circuit</b>	N35	M35
<b>GND</b>	3	1
<b>(+) Vcc</b>	1	2
<b>A</b>	4	3
<b>B</b>	2	4
<b>N</b>	5	5
<b>-</b>	-	-
<b>A inv.</b>	-	6
<b>B inv.</b>	-	7
<b>N inv.</b>	-	8
<b>n. c.</b>	-	-
<b>Shield</b>	-	-

**Sensor-connector (M12x1) SC radial, 5-, 8-pin**

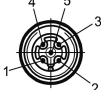
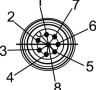


**Description**

**ABN inv. poss.**

<b>SC5</b>	radial, 5-pin, Connector connected to encoder housing	-
<b>SC8</b>	radial, 8-pin, Connector connected to encoder housing	•

**Assignments**

	<b>SC5</b>	<b>SC8</b>
	<b>5-pin</b>	<b>8-pin</b>
		
<b>Circuit</b>	N35	M35
<b>GND</b>	3	1
<b>(+) Vcc</b>	1	2
<b>A</b>	4	3
<b>B</b>	2	4
<b>N</b>	5	5
<b>-</b>	-	-
<b>A inv.</b>	-	6
<b>B inv.</b>	-	7
<b>N inv.</b>	-	8
<b>n. c.</b>	-	-
<b>Shield</b>	-	-

## Options

### Low temperature

The encoder WDG1 36S with the output circuit types N35, M35 is also available with the extended temperature range -40 °C up to +85 °C [-40 °F up to +185 °F] (measured at the flange).

### Order key

**ACA**

### Pressure equalising membrane

The WDG1 36S shaft encoder is also optionally available with a pressure equalising membrane. This prevents water from penetrating into the encoder housing in the case of high air humidity.

The IP67 protection level, temperature range and salt spray resistance are maintained. Resistant to chemicals and solvents in accordance with DIN EN ISO 2812-1.

### Order key

**ACR**

### Cable length

The encoder WDG1 36S can be supplied with more than 2 m cable. The maximum cable length depends on the supply voltage and the frequency; see [www.wachendorff-automation.com/atd](http://www.wachendorff-automation.com/atd)

Please extend the standard order code with a three figure number, specifying the cable length in decimetres.

Example: 5 m cable = 050

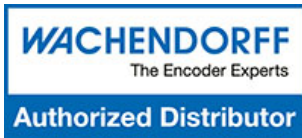
### Order key

**XXX = Decimeter**



Example Order No.	Type					Your encoder
WDGI 36S	WDGI 36S					WDGI 36S
	<b>Shaft</b>					
06	06					
	<b>Pulses per revolution PPR:</b>					
16384	1-16384 Other PPRs on request					
	<b>Channels:</b>					
ABN	ABN					
	<b>Output circuit</b>					
M35	<b>Resolution PPR</b>	<b>Power supply VDC</b>	<b>Output circuit</b>	-	<b>Order key</b>	
	1-16384	4.75 - 30	HTL (TTL at 5 VDC)	-	N35	
		4.75 - 30	HTL, inv. (TTL/RS422 comp. at 5 VDC)	-	M35	
	<b>Electrical connections</b>					
L2	<b>Description</b>			<b>ABN inv. poss.</b>	<b>Order key</b>	
	<b>Cable: length (2 m standard, WDG 58T: 1 m)</b>					
	radial, shield not connected (IP40)			•	K1	
	axial, shield connected to encoder housing			•	L2	
	radial, shield connected to encoder housing			•	L3	
	<b>Connector: (shield connected to encoder housing)</b>					
	sensor-connector, M12x1, 5-pin, axial			-	SB5	
	sensor-connector, M12x1, 5-pin, radial			-	SC5	
	sensor-connector, M12x1, 8-pin, axial			•	SB8	
sensor-connector, M12x1, 8-pin, radial			•	SC8		
	<b>Options</b>					
	<b>Description</b>			<b>Order key</b>		
	Low temperature			ACA		
	Pressure equalising membrane			ACR		
	Without option			Empty		
	Cable length			XXX = Decimeter		

<b>Example Order No.=</b>	WDGI 36S	06	16384	ABN	M35	L2		WDGI 36S							<b>Your encoder</b>
---------------------------	----------	----	-------	-----	-----	----	--	----------	--	--	--	--	--	--	---------------------



For further information please contact our local distributor.  
Here you find a list of our distributors worldwide.  
<https://www.wachendorff-automation.com/contact-sales-en/>

# WACHENDORFF

Wachendorff Automation GmbH & Co. KG  
Industriestrasse 7 • 65366 Geisenheim  
Germany

Phone: +49 67 22 / 99 65 25  
E-Mail: [wdg@wachendorff.de](mailto:wdg@wachendorff.de)  
[www.wachendorff-automation.de](http://www.wachendorff-automation.de)

