



Online Data sheet

Encoder WDGI 36C

www.wachendorff-automation.com/wdgi36c

Wachendorff Automation

... systems and encoders

- Complete systems
- Industrial rugged encoders to suit your application
- Standard range and customer versions
- Maximum permissible loads
- 48-hour express production
- Made in Germany
- Worldwide distributor network

Encoder WDGI 36C



Illustration similar



- Compact and robust
- All pulse numbers from 1 to 16,384 ppr available
- Robust construction for industrial use
- Protection to IP67, shaft sealed to IP65

www.wachendorff-automation.com/wdgi36c

Resolution	
Pulses per revolution PPR	1 PPR up to 16384 PPR
Mechanical Data	
Flange	round flange
Flange material	aluminum
Housing material	stainless steel
Flange diameter	Ø 36 mm [Ø 1.417"]
Shaft(s)	
Shaft material	stainless steel
Starting torque	approx. 0.3 Ncm [0.425 in-ozf] at ambient temperature
Shaft	Ø 6 mm [Ø 0.236"]
Shaft length	L: 12 mm [0.472"]
Max. Permissible shaft loading radial	80 N [8.157 kp]
Max. Permissible shaft loading axial	50 N [5.098 kp]
Bearings	
Bearings type	2 precision ball bearings
Nominal service life	1 x 10 ⁹ revs. at 100 % rated shaft load 1 x 10 ¹⁰ revs. at 40 % rated shaft load 1 x 10 ¹¹ revs. at 20 % rated shaft load
Max. operating speed	12000 rpm
Machinery Directive: basic data safety integrity level	
MTTF _d	2200 a
Mission time (TM)	25 a
Nominal service life (L10h)	1 x 10 ¹¹ revs. at 20 % rated shaft load and 12000 rpm
Diagnostic coverage (DC)	0 %
Electrical Data	
Power supply/Current consumption	4.75 VDC up to 30 VDC: typ. 40 mA
Operating principle	magnetic
Output circuit	HTL (TTL at 5 VDC) HTL, inv. (TTL/RS422 comp. at 5 VDC)
Pulse frequency	HTL up to 16384 ppr: max. 600 kHz TTL up to 16384 ppr: max. 1 MHz
Channels	ABN and inverted signals
Load	max. 40 mA / channel

Circuit protection	yes
--------------------	-----

Accuracy	
Phase offset	90° ± max. 7.5 % of the period duration
pulse-/pause-ratio	50 % ± max. 7 %

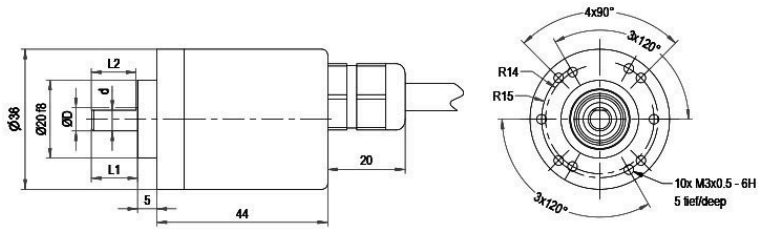
Environmental data	
ESD (DIN EN 61000-4-2):	8 kV
Burst (DIN EN 61000-4-4):	2 kV
includes EMC:	DIN EN 61000-6-2 DIN EN 61000-6-3
Vibration: (DIN EN 60068-2-6)	50 m/s ² (10 Hz up to 2000 Hz)
Shock: (DIN EN 60068-2-27)	1000 m/s ² (6 ms)
Electrical Safety:	according DIN VDE 0160

Duty information	
Customs tariff number:	90318020
Country of origin:	Germany

General Data	
Weight	approx. 125 g [4.409 oz]
Connections	cable or connector outlet
Protection rating (EN 60529)	Housing: IP65, IP67; shaft sealed: IP65; cable outlet K1: IP40
Operating temperature	Connector: -40 °C up to +85 °C, Cable: -20 °C up to +80 °C (Option ACA: -40 °C up to +85 °C). Connector: -40 °F up to +185 °F, Cable: -4 °F up to +176 °F, Option ACA: -40 °F up to +185 °F
Storage temperature	Connector: -40 °C up to +85 °C, Cable: -30 °C up to +80 °C (Option ACA: -40 °C up to +85 °C) Connector: -40 °F up to +185 °F, cable: -22 °F up to +176 °F, (Option ACA: -40 °F up to +185 °F)

More Information	
General technical data and safety instructions http://www.wachendorff-automation.com/gtd	
Options http://www.wachendorff-automation.com/acc	

Cable connection L2 axial with 2 m cable



D=67 L1=12 d=5.3 L2=11.5

Alle Abmessungen in mm / All dimensions in mm

Description

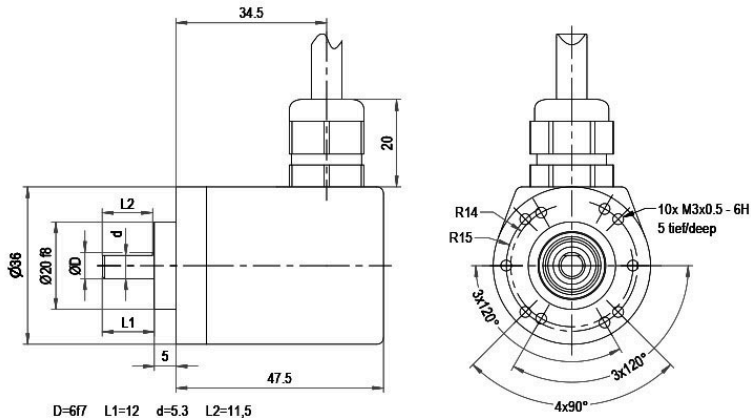
ABN inv. poss.

L2 axial, shield connected to encoder housing

•

Assignments		
	L2	L2
Circuit	N35	M35
GND	WH	WH
(+) Vcc	BN	BN
A	GN	GN
B	YE	YE
N	GY	GY
-	-	-
A inv.	-	RD
B inv.	-	BK, (BU at ACA)
N inv.	-	VT
Shield	flex	flex

Cable connection L3 radial with 2 m cable



D=67 L1=12 d=5.3 L2=11,5

Alle Abmessungen in mm / All dimensions in mm

Description

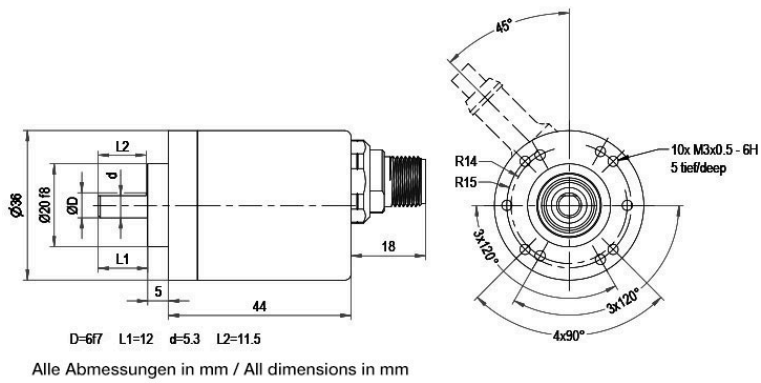
ABN inv. poss.

L3 radial, shield connected to encoder housing

•

Assignments		
	L3	L3
Circuit	N35	M35
GND	WH	WH
(+) Vcc	BN	BN
A	GN	GN
B	YE	YE
N	GY	GY
-	-	-
A inv.	-	RD
B inv.	-	BK, (BU at ACA)
N inv.	-	VT
Shield	flex	flex

Sensor connector (M12x1) SB axial, 5-, 8-, 12-pin



Description

ABN inv. poss.

SB5 axial, 5-pin, Connector connected to encoder housing

-

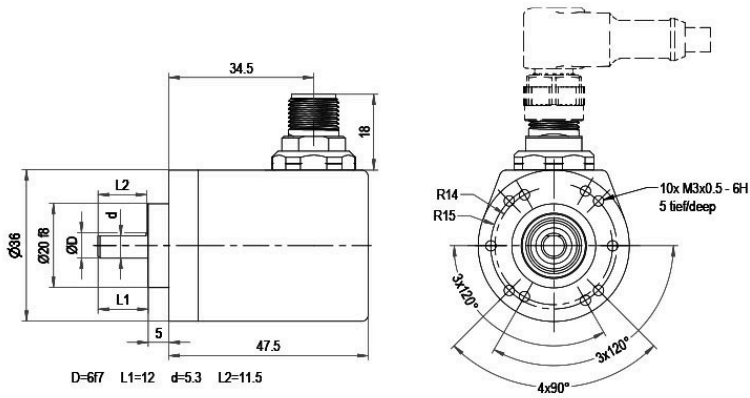
SB8 axial, 8-pin, Connector connected to encoder housing

•

Assignments

	SB5 5-pin	SB8 8-pin
Circuit	N35	M35
GND	3	1
(+) Vcc	1	2
A	4	3
B	2	4
N	5	5
-	-	-
A inv.	-	6
B inv.	-	7
N inv.	-	8
n. c.	-	-
Shield	-	-

Sensor-connector (M12x1) SC radial, 5-, 8-pin



Alle Abmessungen in mm / All dimensions in mm

Description

ABN inv. poss.

SC5	radial, 5-pin, Connector connected to encoder housing	-
SC8	radial, 8-pin, Connector connected to encoder housing	•

Assignments

	SC5	SC8
	5-pin	8-pin
Circuit	N35	M35
GND	3	1
(+) Vcc	1	2
A	4	3
B	2	4
N	5	5
-	-	-
A inv.	-	6
B inv.	-	7
N inv.	-	8
n. c.	-	-
Shield	-	-

Options

Low-friction bearings

The encoder WDG1 36C is also available as a particularly smooth-running low-friction encoder. The starting torque is thereby changed to 0.25 Ncm [0.354 in-ozf] and the protection class at the shaft input to IP50.

Order key

AAC

Low temperature

The encoder WDG1 36C with the output circuit types N35, M35 is also available with the extended temperature range -40 °C up to +85 °C [-40 °F up to +185 °F] (measured at the flange).

Order key

ACA

Pressure equalising membrane

The WDG1 36C shaft encoder is also optionally available with a pressure equalising membrane. This prevents water from penetrating into the encoder housing in the case of high air humidity.

The IP67 protection level, temperature range and salt spray resistance are maintained. Resistant to chemicals and solvents in accordance with DIN EN ISO 2812-1.

Order key

ACR

Cable length

The encoder WDG1 36C can be supplied with more than 2 m cable. The maximum cable length depends on the supply voltage and the frequency; see <https://www.wachendorff-automation.com/download-gtd-incremental-encoders/>

Please extend the standard order code with a three figure number, specifying the cable length in decimetres.

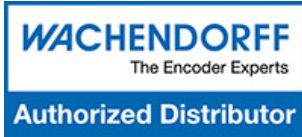
Example: 5 m cable = 050

Order key

XXX = Decimeter

Example Order No.	Type				Your encoder
WDGI 36C	WDGI 36C				WDGI 36C
Shaft					
06	06				
Pulses per revolution PPR:					
16364	1-16384 Other PPRs on request				
Channels:					
ABN	ABN				
Output circuit					
M35	Resolution PPR	Power supply VDC	Output circuit	-	Order key
	1-16384	4.75 - 30	HTL (TTL at 5 VDC)	-	N35
		4.75 - 30	HTL, inv. (TTL/RS422 comp. at 5 VDC)	-	M35
Electrical connections					
L2	Description			ABN inv. poss.	Order key
	Cable: length (2 m standard, WDG 58T: 1 m)				
	radial, shield not connected (IP40)			•	K1
	axial, shield connected to encoder housing			•	L2
	radial, shield connected to encoder housing			•	L3
	Connector: (shield connected to encoder housing)				
	sensor-connector, M12x1, 5-pin, axial			-	SB5
	sensor-connector, M12x1, 5-pin, radial			-	SC5
	sensor-connector, M12x1, 8-pin, axial			•	SB8
sensor-connector, M12x1, 8-pin, radial			•	SC8	
Options					
Description			Order key		
Low-friction bearings			AAC		
Low temperature			ACA		
Pressure equalising membrane			ACR		
Without option			Empty		
Cable length			XXX = Decimeter		

Example Order No.=	WDGI 36C	06	16364	ABN	M35	L2		WDGI 36C							Your encoder
---------------------------	----------	----	-------	-----	-----	----	--	----------	--	--	--	--	--	--	---------------------



For further information please contact our local distributor.
Here you find a list of our distributors worldwide.
<https://www.wachendorff-automation.com/contact-en/wachendorff-world-wide/>

WACHENDORFF

Wachendorff Automation GmbH & Co. KG
Industriestrasse 7 • 65366 Geisenheim
Germany

Phone: +49 67 22 / 99 65 25
E-Mail: wdg@wachendorff.de
www.wachendorff-automation.de

