



Online Data sheet

Encoder WDG N 36K

www.wachendorff-automation.com/wdgn36k

Wachendorff Automation

... systems and encoders

- Complete systems
- Industrial rugged encoders to suit your application
- Standard range and customer versions
- Maximum permissible loads
- 48-hour express production
- Made in Germany
- Worldwide distributor network

Encoder WDG 36K via Smartphone (NFC) configurable



Illustration similar



- Due to high quality electronics any number of pulses up to 16384 via NFC configurable
- HTL/TTL via NFC configurable
- Protection class IP67, at shaft input IP65
- High output frequency up to 1 MHz
- Reverse polarity protection and short-circuit protection at 4.75 VDC to 32 VDC

www.wachendorff-automation.com/wdgn36k

Configurable via NFC

Resolution	
Pulses per revolution PPR	1 PPR up to 16384 PPR
Mechanical Data	
Flange	round flange
Flange material	aluminum
Housing material	Stainless steel, NFC cover: Thermoplastic polyamide
Flange diameter	Ø 36 mm [Ø 1.417"]
Shaft(s)	
Shaft material	stainless steel
Starting torque	approx. 0.3 Ncm [0.425 in-ozf] at ambient temperature, approx. 0.425 in-ozf at ambient temperature
Shaft	Ø 6 mm [Ø 0.236"]
Shaft length	L: 11.5 mm [0.453"]
Max. Permissible shaft loading radial	80 N [8.157 kp]
Max. Permissible shaft loading axial	50 N [5.098 kp]
Bearings	
Bearings type	2 precision ball bearings
Nominal service life	1.4 x 10 ⁸ revs. at 100 % rated shaft load 2 x 10 ⁹ revs. at 40 % rated shaft load 1.7 x 10 ¹⁰ revs. at 20 % rated shaft load
Max. operating speed	12000 rpm
Machinery Directive: basic data safety integrity level	
MTTF _d	1200 a
Mission time (TM)	25 a
Nominal service life (L10h)	1.7 x 10 ¹⁰ revs. at 20 % rated shaft load and 12000 rpm
Diagnostic coverage (DC)	0 %
Electrical Data	
Power supply/Current consumption	4,75 VDC up to 32 VDC: typ. 80 mA
Operating principle	magnetic
Output circuit	HTL HTL, inv. TTL TTL, RS422 compatible, inv.
Pulse frequency	HTL up to 16384 ppr: max. 600 kHz TTL up to 16384 ppr: max. 1 MHz

Channels	BAS: ABN + inverted signals ADV: CH1, CH2, CH3, CH4; + inverted signals
Load	max. 40 mA / channel
Circuit protection	inverse-polarity and short-circuit protection
Nullimpuls setzen:	Setzen: SET = +UB für 2 s Deaktiviert: SET = GND

Accuracy	
Phase offset	90° ± max. 8.5 % of the period duration
pulse-/pause-ratio	50 % ± max. 7 %

Configurable via NFC:	
BASIC: (BAS)	
Channels:	ABN and inverted
HTL / TTL	freely selectable
Pulses / revolution:	1 ppr up to 16384 ppr freely selectable
Advanced (ADV):	
Channels:	4 channels configurable + inv. signals (ABN possible)
HTL / TTL:	freely selectable
Pulses / revolution:	1 ppr up to 16384 ppr freely selectable
Number of pulses for each channel:	individually selectable
Set zero pulse:	yes
Pulse width and position:	Width and position adjustable

Environmental data	
Noise immunity:	
ESD (DIN EN 61000-4-2):	8 kV
EMC: (DIN EN 61000-4-3):	10 V/m
Burst (DIN EN 61000-4-4):	2 kV
High frequency fields (DIN EN 61000-4-6):	10 V
Surge (DIN EN 61000-4-5):	2 kV
Radio interference:	According DIN EN 55011
NFC:	
EMC:	According ETSI EN 301 489
RED:	According ETSI EN 300 330

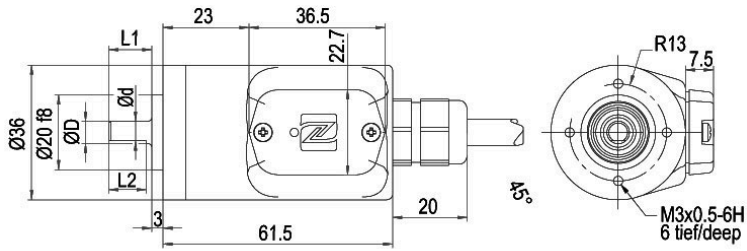
Electrical safety:	DIN EN 61010-1 (VDE 0411-1) / IEC 61010-1 / UL 61010-1 / CSA C22.0 No 61010-1-12
Vibration: (DIN EN 60068-2-6)	300 m/s ² (10 Hz up to 2000 Hz)
Shock: (DIN EN 60068-2-27)	1000 m/s ² (6 ms)

Duty information	
Customs tariff number:	90318020
Country of origin:	Germany

General Data	
Weight	approx. 125 g [4.409 oz]
Connections	cable or connector outlet
Protection rating (EN 60529)	Housing: IP65, IP67; shaft sealed: IP65; cable outlet K1: IP40
Operating temperature	Connector: -40 °C up to +85 °C, Cable: -20 °C up to +80 °C. Connector: -40 °F up to +185 °F, Cable: -4 °F up to +176 °F.
Storage temperature	Connector: -40 °C up to +100 °C, Cable: -30 °C up to +80 °C Connector: -40 °F up to +212 °F, Cable: -22 °F up to +176 °F

More Information	
General technical data and safety instructions http://www.wachendorff-automation.com/gtd	
Options http://www.wachendorff-automation.com/acc	

Cable connection L2 axial with 2 m cable (BAS)



D=6f7 L1=11.5 d=5.3 L2=10

Alle Abmessungen in mm / All dimensions in mm

Description

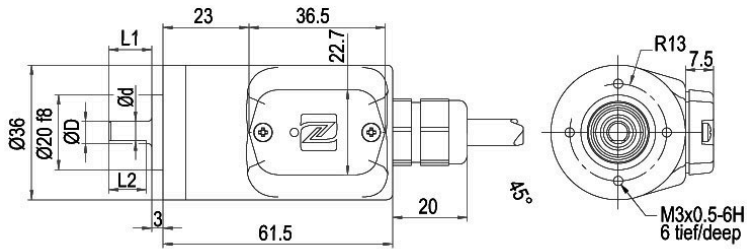
ABN inv. poss.

L2 axial, shield connected to encoder housing

•

Assignments	
	L2
Circuit	BAS
GND	WH
(+) Vcc	BN
A	GN
B	YE
N	GY
A inv.	RD
B inv.	BK
N inv.	VT
Shield	flex

Cable connection L2 axial with 2 m cable (ADV)



D=6f7 L1=11.5 d=5.3 L2=10

Alle Abmessungen in mm / All dimensions in mm

Description

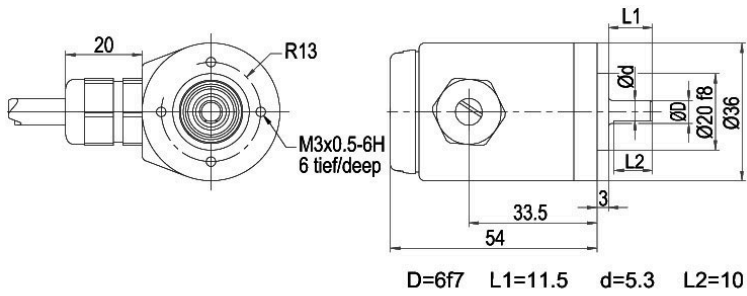
ABN inv. poss.

L2 axial, shield connected to encoder housing

•

Assignments	
	L2
Circuit	ADV
GND	WH
(+) Vcc	BN
CH1	GN
CH2	YE
CH3	GY
CH4	GYPK
SET	PK
CH1 inv.	RD
CH2 inv.	BK
CH3 inv.	VT
CH4 inv.	RDBU
Shield	flex

Cable connection L3 radial with 2 m cabel (BAS)



Alle Abmessungen in mm / All dimensions in mm

Description

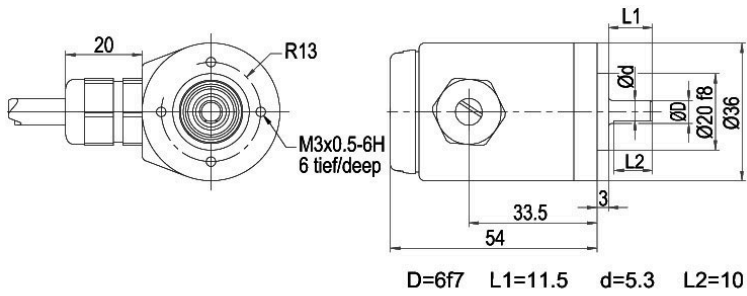
ABN inv. poss.

L3 radial, shield connected to encoder housing

•

Assignments	
	L3
Circuit	BAS
GND	WH
(+) Vcc	BN
A	GN
B	YE
N	GY
A inv.	RD
B inv.	BK
N inv.	VT
Shield	flex

Cable connection L3 radial with 2 m cabel (ADV)



Alle Abmessungen in mm / All dimensions in mm

Description

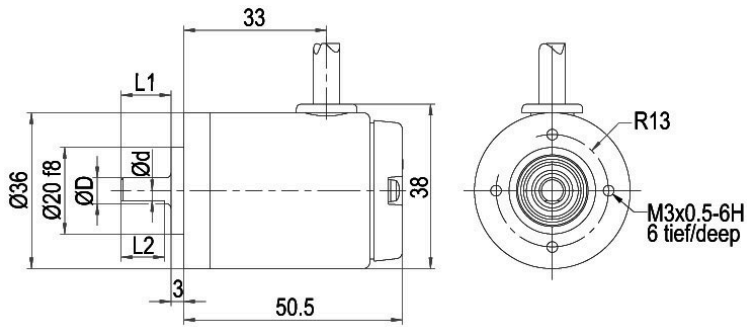
ABN inv. poss.

L3 radial, shield connected to encoder housing

•

Assignments	
	L3
Circuit	ADV
GND	WH
(+) Vcc	BN
CH1	GN
CH2	YE
CH3	GY
CH4	GYPK
SET	PK
CH1 inv.	RD
CH2 inv.	BK
CH3 inv.	VT
CH4 inv.	RDBU
Shield	flex

Cable K1 (IP40) radial with 2 m cable (BAS)



D=6f7 L1=11.5 d=5.3 L2=10

Alle Abmessungen in mm / All dimensions in mm

Description

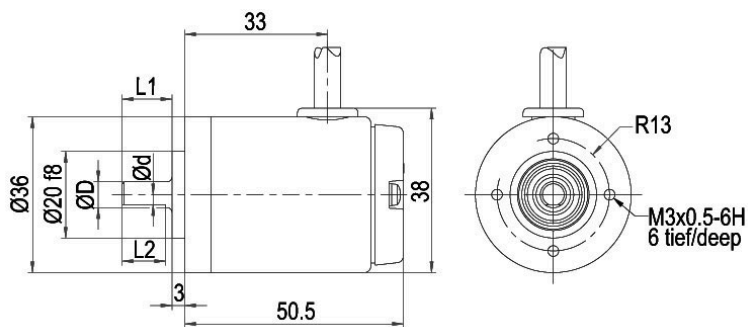
ABN inv. poss.

K1 radial, shield not connected (IP40)

•

Assignments	
	K1
Circuit	BAS
GND	WH
(+) Vcc	BN
A	GN
B	YE
N	GY
A inv.	RD
B inv.	BK
N inv.	VT
Shield	flex

Cable K1 (IP40) radial with 2 m cable (ADV)



D=6f7 L1=11.5 d=5.3 L2=10

Alle Abmessungen in mm / All dimensions in mm

Description

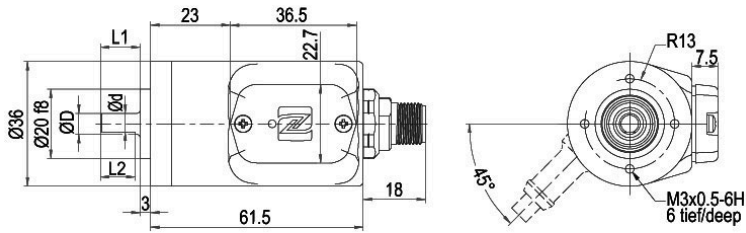
ABN inv. poss.

K1 radial, shield not connected (IP40)

•

Assignments	
	K1
Circuit	ADV
GND	WH
(+) Vcc	BN
CH1	GN
CH2	YE
CH3	GY
CH4	GYPK
SET	PK
CH1 inv.	RD
CH2 inv.	BK
CH3 inv.	VT
CH4 inv.	RDBU
Shield	flex

Sensor connector (M12x1) SB axial, 8-pin (BAS)



D=6f7 L1=11.5 d=5.3 L2=10

Alle Abmessungen in mm / All dimensions in mm

Description

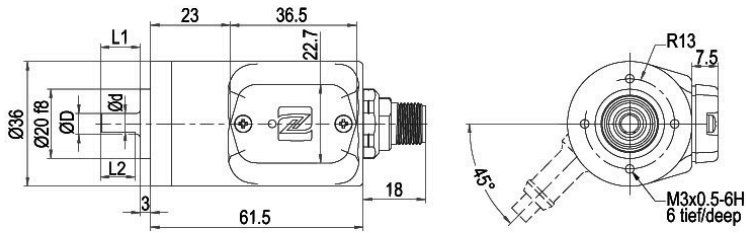
ABN inv. poss.

SB8 axial, 8-pin, Connector connected to encoder housing

•

Assignments	
	SB8
	8-pin
Circuit	BAS
GND	1
(+) Vcc	2
A	3
B	4
N	5
A inv.	6
B inv.	7
N inv.	8

Sensor connector (M12x1) SB axial, 12-pin (ADV)



D=6f7 L1=11.5 d=5.3 L2=10

Alle Abmessungen in mm / All dimensions in mm

Description

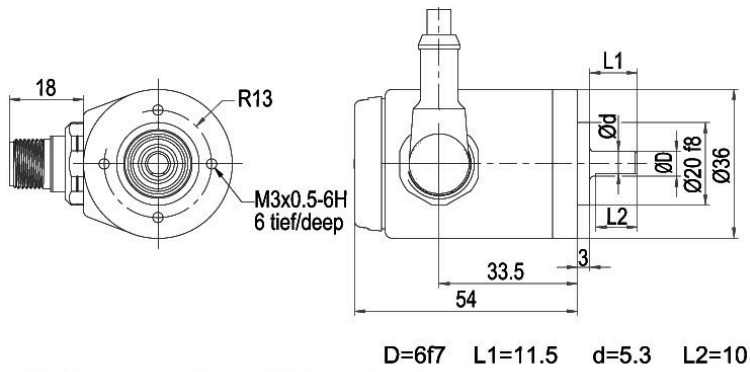
ABN inv. poss.

SB12 axial, 12-pin, Connector connected to encoder housing

•

Assignments	
	SB12
	12-pin
Circuit	ADV
GND	3
(+) Vcc	1
CH1	4
CH2	6
CH3	8
CH4	11
SET	5
CH1 inv.	9
CH2 inv.	7
CH3 inv.	10
CH4 inv.	12
n. c.	2

Sensor-connector (M12x1) SC radial, 8-pin (BAS)



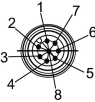
Alle Abmessungen in mm / All dimensions in mm

Description

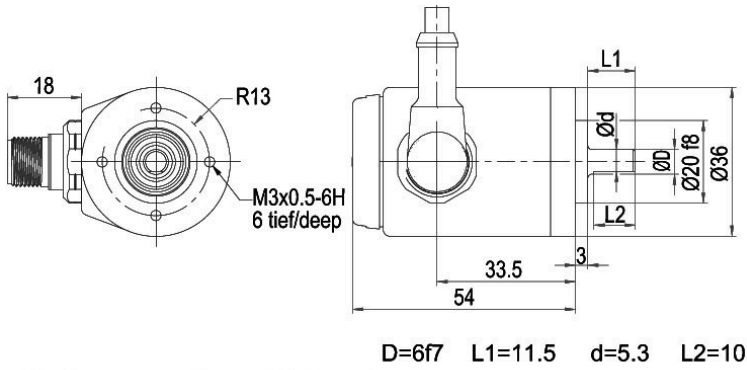
ABN inv. poss.

SC8 radial, 8-pin, Connector connected to encoder housing

•

Assignments	
	SC8
	8-pin
	
Circuit	BAS
GND	1
(+) Vcc	2
A	3
B	4
N	5
A inv.	6
B inv.	7
N inv.	8

Sensor-connector (M12x1) SC radial, 12-pin (ADV)



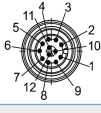
Alle Abmessungen in mm / All dimensions in mm

Description

ABN inv. poss.

SC12 radial, 12-pin, Connector connected to encoder housing

•

Assignments	
	SC12
	12-pin
	
Circuit	ADV
GND	3
(+) Vcc	1
CH1	4
CH2	6
CH3	8
CH4	11
SET	5
CH1 inv.	9
CH2 inv.	7
CH3 inv.	10
CH4 inv.	12
n. c.	2

Options**Low-friction bearings**

The encoder WDG 36K is also available as a particularly smooth-running low-friction encoder. The starting torque is thereby changed to 0.25 Ncm [0.354 in-ozf] and the protection class at the shaft input to IP50.

Order key**AAC****Cable length**

The encoder WDG 36K can be supplied with more than 2 m cable. The maximum cable length depends on the supply voltage and the frequency; see <https://www.wachendorff-automation.com/download-gtd-incremental-encoders/>

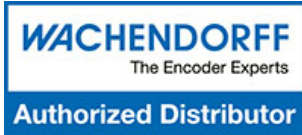
Please extend the standard order code with a three figure number, specifying the cable length in decimetres.

Example: 5 m cable = 050

Order key**XXX = Decimeter**

Example Order No.	Type					Your encoder	
WDGN 36K	WDGN 36K					WDGN 36K	
Shaft							
06	06						
Pulses per revolution PPR:							
X	1-16384 configurable Other PPRs on request						
Channels:							
X	X (BAS=ABN, ADV= CH1,CH2,CH3,CH4)						
Output circuit							
BAS	Resolution PPR	Power supply VDC	Output circuit	-	Order key		
	configurable 1-16384	4.75 - 32 4.75 - 32	configurable HTL, TTL (A,B,N + inv.) configurable HTL, TTL; 4 channels+inv.	- -	BAS ADV		
Electrical connections							
L2	Description			ABN inv. poss.	Order key		
	Cable: length (2 m standard, WDG 58T: 1 m)						
	radial, shield not connected (IP40)			•	K1		
	axial, shield connected to encoder housing			•	L2		
	radial, shield connected to encoder housing			•	L3		
	Connector: (shield connected to encoder housing)						
	sensor-connector, M12x1, 8-pin, axial			•	SB8		
	sensor-connector, M12x1, 8-pin, radial			•	SC8		
	sensor-connector, M12x1, 12-pin, axial			•	SB12		
sensor-connector, M12x1, 12-pin, radial			•	SC12			
Options							
Description			Order key				
Low-friction bearings			AAC				
Without option			Empty				
Cable length			XXX = Decimeter				

Example Order No.=	WDGN 36K	06	X	X	BAS	L2		WDGN 36K						Your encoder
---------------------------	----------	----	---	---	-----	----	--	----------	--	--	--	--	--	---------------------



For further information please contact our local distributor.
Here you find a list of our distributors worldwide.
<https://www.wachendorff-automation.com/contact-en/wachendorff-world-wide/>

WACHENDORFF

Wachendorff Automation GmbH & Co. KG
Industriestrasse 7 • 65366 Geisenheim
Germany

Phone: +49 67 22 / 99 65 25
E-Mail: wdg@wachendorff.de
www.wachendorff-automation.de

