



# Online Data sheet

## Encoder WDGI 58E

[www.wachendorff-automation.com/wdgi58em](http://www.wachendorff-automation.com/wdgi58em)

### **Wachendorff Automation**

#### **... systems and encoders**

- Complete systems
- Industrial rugged encoders to suit your application
- Standard range and customer versions
- Maximum permissible loads
- 48-hour express production
- Made in Germany
- Worldwide distributor network

# Encoder WDGI 58E



Illustration similar



- Rugged industrial standard end hollow shaft encoder
- Maximum mechanical and electrical safety
- High protection according to IP67, shaft sealed to IP65, high noise immunity
- Hollow bore (blind)
- Optional: -40 °C up to +85 °C [-40 °F up to +185 °F], Pressure equalising membrane

[www.wachendorff-automation.com/wdgi58em](http://www.wachendorff-automation.com/wdgi58em)

Resolution	
Pulses per revolution PPR	1 PPR up to 16384 PPR
Mechanical Data	
Flange	hollow shaft (blind-bored)
Flange material	aluminum
Housing material	Stainless steel or die cast aluminum, powder coated (only M16 and M23 plugs)
Torque supports	incl. 1 torque support WDGDS10001
- 1. Spring plate compensation	axial: ±0.8 mm [0.0315"], radial: ±0.2 mm [0.0079"]
- Max. operating speed	6000 rpm up to max. protection rating +60 °C
- 2. Cylinder pin 4 mm	needs accessories WDGDS10005
- Compensation	axial: ±0.5 mm [0.0197"], radial: ±1.5 mm [0.0591"], Max. operating speed: 3000 rpm
Flange diameter	Ø 58 mm [Ø 2.283"]
Shaft(s)	
Shaft material	stainless steel
Starting torque	approx. 1.6 Ncm [2.266 in-ozf] at ambient temperature
Fixing	permanently attached clamping ring
Shaft	Ø 6 mm [Ø 0.236"]
Advice	with adapter sleeve
Shaft length	L: 12 mm [0.472"]
Insertion depth min.	11 mm [0.433"]
Insertion depth max.	15 mm [0.591"]
Max. Permissible shaft loading radial	80 N [8.157 kp]
Max. Permissible shaft loading axial	50 N [5.098 kp]
Shaft	Ø 6.35 mm [Ø 1/4"] Order No: 2Z
Advice	with adapter sleeve
Shaft length	L: 12 mm [0.472"]
Insertion depth min.	11 mm [0.433"]
Insertion depth max.	15 mm [0.591"]
Max. Permissible shaft loading radial	80 N [8.157 kp]
Max. Permissible shaft loading axial	50 N [5.098 kp]
Shaft	Ø 7 mm [Ø 0.276"]
Advice	with adapter sleeve
Shaft length	L: 12 mm [0.472"]
Insertion depth min.	11 mm [0.433"]

Insertion depth max.	15 mm [0.591"]
Max. Permissible shaft loading radial	80 N [8.157 kp]
Max. Permissible shaft loading axial	50 N [5.098 kp]
Shaft	Ø 8 mm [Ø 0.315"]
Advice	with adapter sleeve
Shaft length	L: 12 mm [0.472"]
Insertion depth min.	11 mm [0.433"]
Insertion depth max.	15 mm [0.591"]
Max. Permissible shaft loading radial	80 N [8.157 kp]
Max. Permissible shaft loading axial	50 N [5.098 kp]
Shaft	Ø 9.525 mm [Ø 3/8"] Order No: 4Z
Advice	with adapter sleeve
Shaft length	L: 12 mm [0.472"]
Insertion depth min.	11 mm [0.433"]
Insertion depth max.	15 mm [0.591"]
Max. Permissible shaft loading radial	80 N [8.157 kp]
Max. Permissible shaft loading axial	50 N [5.098 kp]
Shaft	Ø 10 mm [Ø 0.394"]
Advice	with adapter sleeve
Shaft length	L: 12 mm [0.472"]
Insertion depth min.	11 mm [0.433"]
Insertion depth max.	15 mm [0.591"]
Max. Permissible shaft loading radial	80 N [8.157 kp]
Max. Permissible shaft loading axial	50 N [5.098 kp]
Shaft	Ø 12 mm [Ø 0.472"]
Shaft length	L: 12 mm [0.472"]
Insertion depth min.	11 mm [0.433"]
Insertion depth max.	15 mm [0.591"]
Max. Permissible shaft loading radial	80 N [8.157 kp]
Max. Permissible shaft loading axial	50 N [5.098 kp]
Shaft	Ø 12.7 mm [Ø 1/2"] Order No. 3Z
Advice	with adapter sleeve
Shaft length	L: 12 mm [0.472"]
Insertion depth min.	11 mm [0.433"]

Insertion depth max.	15 mm [0.591"]
Max. Permissible shaft loading radial	80 N [8.157 kp]
Max. Permissible shaft loading axial	50 N [5.098 kp]

Shaft	Ø 14 mm [Ø 0.551"]
Shaft length	L: 12 mm [0.472"]
Insertion depth min.	11 mm [0.433"]
Insertion depth max.	15 mm [0.591"]
Max. Permissible shaft loading radial	80 N [8.157 kp]
Max. Permissible shaft loading axial	50 N [5.098 kp]

Shaft	Ø 15 mm [Ø 0.591"]
Shaft length	L: 12 mm [0.472"]
Insertion depth min.	11 mm [0.433"]
Insertion depth max.	15 mm [0.591"]
Max. Permissible shaft loading radial	80 N [8.157 kp]
Max. Permissible shaft loading axial	50 N [5.098 kp]

#### Bearings

Bearings type	2 precision ball bearings
Nominal service life	1 x 10 <sup>9</sup> revs. at 100 % rated shaft load 1 x 10 <sup>10</sup> revs. at 40 % rated shaft load 1 x 10 <sup>11</sup> revs. at 20 % rated shaft load
Max. operating speed	6000 rpm

#### Machinery Directive: basic data safety integrity level

MTTF <sub>d</sub>	2200 a
Mission time (TM)	25 a
Nominal service life (L10h)	1 x 10 <sup>11</sup> revs. at 20 % rated shaft load and 6000 rpm
Diagnostic coverage (DC)	0 %

#### Electrical Data

Power supply/Current consumption	4.75 VDC up to 30 VDC: typ. 40 mA
Operating principle	magnetic
Output circuit	HTL (TTL at 5 VDC) HTL, inv. (TTL/RS422 comp. at 5 VDC)
Pulse frequency	HTL up to 16384 ppr: max. 600 kHz TTL up to 16384 ppr: max. 1 MHz
Channels	AB ABN and inverted signals
Load	max. 40 mA / channel
Circuit protection	inverse-polarity and short-circuit protection

#### Accuracy

Phase offset	90° ± max. 7.5 % of the period duration
pulse-/pause-ratio	50 % ± max. 7 %

#### Environmental data

ESD (DIN EN 61000-4-2):	8 kV
Burst (DIN EN 61000-4-4):	2 kV
includes EMC:	DIN EN 61000-6-2 DIN EN 61000-6-3

Vibration: (DIN EN 60068-2-6)	50 m/s <sup>2</sup> (10 Hz up to 2000 Hz)
Shock: (DIN EN 60068-2-27)	1000 m/s <sup>2</sup> (6 ms)
Electrical Safety:	according DIN VDE 0160

#### Duty information

Customs tariff number:	90318020
Country of origin:	Germany

#### General Data

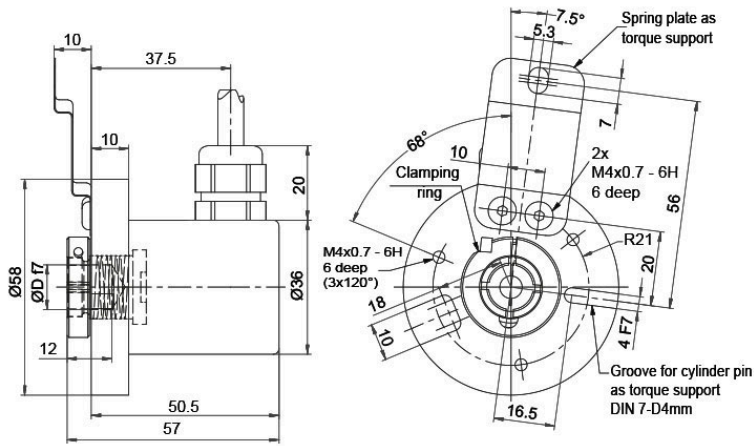
Weight	approx. 220 g [7.76 oz]
Connections	cable or connector, radial
Protection rating (EN 60529)	Housing: IP65, IP67; shaft sealed: IP65
Operating temperature	Connector: -40 °C up to +85 °C, Cable: -20 °C up to +80 °C (Option ACA: -40 °C up to +85 °C). Connector: -40 °F up to +185 °F, Cable: -4 °F up to +176 °F, Option ACA: -40 °F up to +185 °F
Storage temperature	Connector: -40 °C up to +85 °C, Cable: -30 °C up to +80 °C (Option ACA: -40 °C up to +85 °C) Connector: -40 °F up to +185 °F, cable: -22 °F up to +176 °F, (Option ACA: -40 °F up to +185 °F)

#### More Information

General technical data and safety instructions  
<http://www.wachendorff-automation.com/gt>

Options  
<http://www.wachendorff-automation.com/acc>

**WDGI 58E: Cable connection L3, radial, with 2 m cable**



**Description**

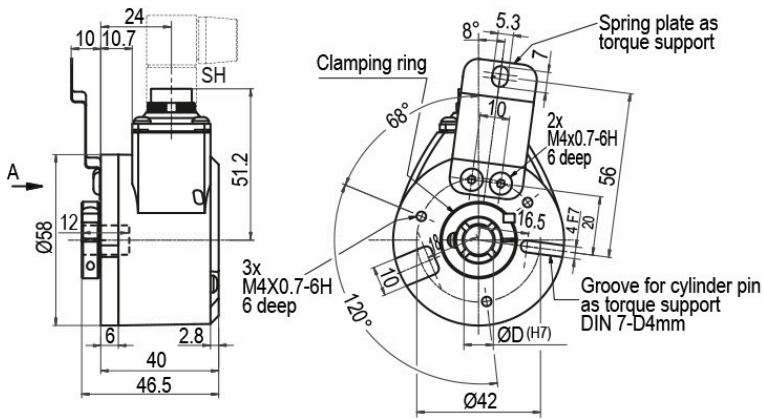
**ABN inv. poss.**

**L3** radial, shield connected to encoder housing

•

Assignments		
	L3	L3
<b>Circuit</b>	N35	M35
<b>GND</b>	WH	WH
<b>(+) Vcc</b>	BN	BN
<b>A</b>	GN	GN
<b>B</b>	YE	YE
<b>N</b>	GY	GY
<b>-</b>	-	-
<b>A inv.</b>	-	RD
<b>B inv.</b>	-	BK, (BU at ACA)
<b>N inv.</b>	-	VT
<b>Shield</b>	flex	flex

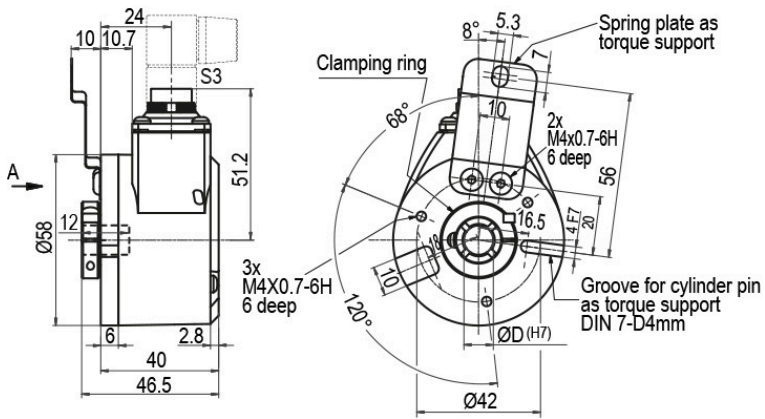
**WDGI 58E: Connector (M16x0.75) SH, radial, 5-, 6-, 8-, 12-pin**



Description	ABN inv. poss.
<b>SH5</b> radial, 5-pin, Connector connected to encoder housing	-
<b>SH6</b> radial, 6-pin, Connector connected to encoder housing	-
<b>SH8</b> radial, 8-pin, Connector connected to encoder housing	•
<b>SH12</b> radial, 12-pin, Connector connected to encoder housing	•

Assignments						
	SH5	SH6	SH8	SH8	SH12	SH12
	5-pin	6-pin	8-pin	8-pin	12-pin	12-pin
<b>Circuit</b>	N35	N35	N35	M35	N35	M35
<b>GND</b>	1	6	1	1	K, L	K, L
<b>(+) Vcc</b>	2	1	2	2	M, B	M, B
<b>A</b>	3	2	3	3	E	E
<b>B</b>	4	4	4	4	H	H
<b>N</b>	5	3	5	5	C	C
<b>-</b>	-	-	-	-	-	-
<b>A inv.</b>	-	-	-	6	-	F
<b>B inv.</b>	-	-	-	7	-	A
<b>N inv.</b>	-	-	-	8	-	D
<b>n. c.</b>	-	5	6, 7, 8	-	A, D, F, G, J	G, J
<b>Shield</b>	-	-	-	-	-	-

**WDGI 58E: Connector (M16x0.75) S3, radial, 7-pin**




**Description**

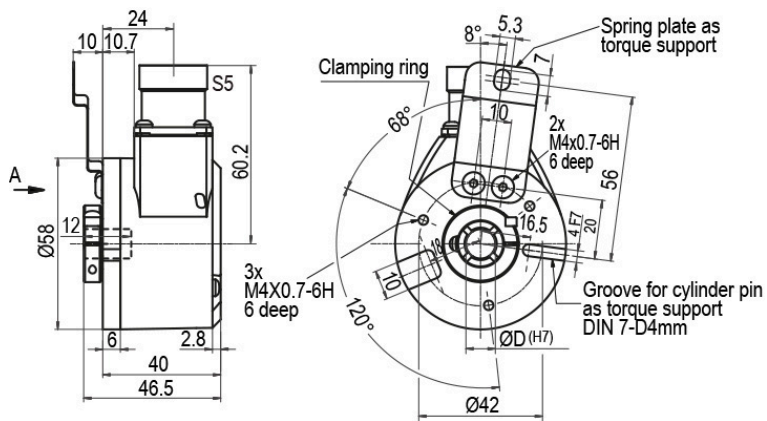
**ABN inv. poss.**

**S3** radial, 7-pin, Connector connected to encoder housing

-

Assignments	
	<b>S3</b>
	<b>7-pin</b>
	
<b>Circuit</b>	N35
<b>GND</b>	1
<b>(+) Vcc</b>	2
<b>A</b>	3
<b>B</b>	4
<b>N</b>	5
<b>-</b>	-
<b>A inv.</b>	-
<b>B inv.</b>	-
<b>N inv.</b>	-
<b>n. c.</b>	6, 7
<b>Shield</b>	-

## WDGI 58E: Connector (M23) S5, radial, 12-pin



### Description

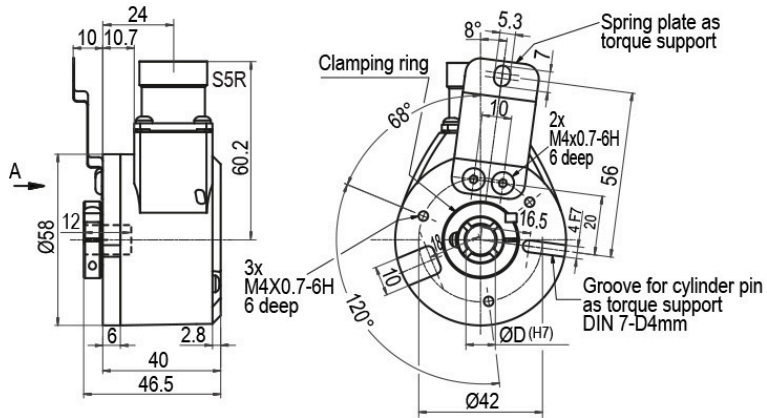
**S5** radial, 12-pin, Connector connected to encoder housing

ABN inv. poss.

•

Assignments		
	S5	S5
	12-pin	12-pin
<b>Circuit</b>	N35	M35
<b>GND</b>	10	10
<b>(+) Vcc</b>	12	12
<b>A</b>	5	5
<b>B</b>	8	8
<b>N</b>	3	3
<b>-</b>	-	-
<b>A inv.</b>	-	6
<b>B inv.</b>	-	1
<b>N inv.</b>	-	4
<b>n. c.</b>	1, 2, 4, 6, 7, 9, 11	2, 7, 9, 11
<b>Shield</b>	-	-

**WDGI 58E: Connector (M23) S5R, radial, 12-pin (clockwise)**



**Description**

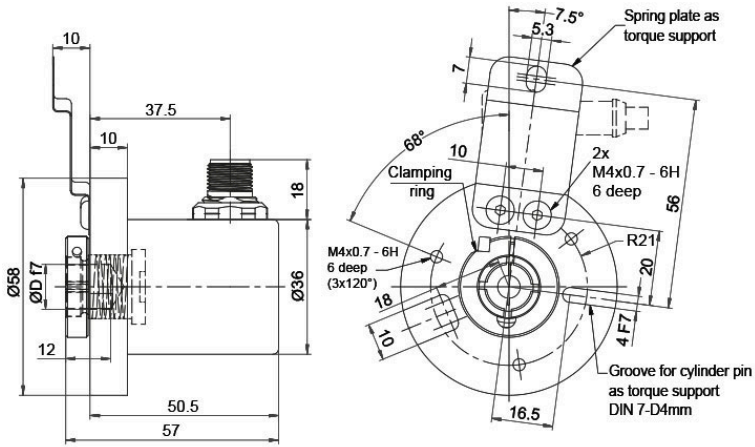
ABN inv. poss.

**S5R** radial, 12-pin, Connector connected to encoder housing

•

Assignments		
	S5R	S5R
	12-pin	12-pin
<b>Circuit</b>	N35	M35
<b>GND</b>	10	10
<b>(+) Vcc</b>	12	12
<b>A</b>	5	5
<b>B</b>	8	8
<b>N</b>	3	3
<b>-</b>	-	-
<b>A inv.</b>	-	6
<b>B inv.</b>	-	1
<b>N inv.</b>	-	4
<b>n. c.</b>	1, 2, 4, 6, 7, 9, 11	2, 7, 9, 11
<b>Shield</b>	-	-

**WDGI 58E: Sensor-connector (M12x1) SC, radial, 5-, 8-pin**



**Description**

**ABN inv. poss.**

<b>SC5</b>	radial, 5-pin, Connector connected to encoder housing	-
<b>SC8</b>	radial, 8-pin, Connector connected to encoder housing	•

**Assignments**

	<b>SC5</b>	<b>SC8</b>
	<b>5-pin</b>	<b>8-pin</b>
<b>Circuit</b>	N35	M35
<b>GND</b>	3	1
<b>(+) Vcc</b>	1	2
<b>A</b>	4	3
<b>B</b>	2	4
<b>N</b>	5	5
<b>-</b>	-	-
<b>A inv.</b>	-	6
<b>B inv.</b>	-	7
<b>N inv.</b>	-	8
<b>n. c.</b>	-	-
<b>Shield</b>	-	-

## Options

### Low-friction bearings

The encoder WDGI 58E is also available as a particularly smooth-running low-friction encoder. The starting torque is thereby changed to approx. 0.6 Ncm [0.85 in-ozf] at ambient temperature and the protection class at the shaft input to IP50.

### Order key

**AAC**

### Low temperature

The encoder WDGI 58E with the output circuit types N35, M35 is also available with the extended temperature range -40 °C up to +85 °C [-40 °F up to +185 °F] (measured at the flange).

### Order key

**ACA**

### Pressure equalising membrane

The WDGI 58E shaft encoder is also optionally available with a pressure equalising membrane. This prevents water from penetrating into the encoder housing in the case of high air humidity.

The IP67 protection level, temperature range and salt spray resistance are maintained. Resistant to chemicals and solvents in accordance with DIN EN ISO 2812-1.

### Order key

**ACR**

### Cable length

The encoder WDGI 58E can be supplied with more than 2 m cable. The maximum cable length depends on the supply voltage and the frequency; see <https://www.wachendorff-automation.com/download-gtd-incremental-encoders/>

Please extend the standard order code with a three figure number, specifying the cable length in decimetres.

Example: 5 m cable = 050

### Order key

**XXX = Decimeter**

Example Order No.	Type					Your encoder
WDGI 58E	WDGI 58E					WDGI 58E
	<b>Bore size</b>					
10	06; 2Z; 07; 08; 4Z; 10; 12; 3Z; 14; 15					
	<b>Pulses per revolution PPR:</b>					
16384	1-16384 Other PPRs on request					
	<b>Channels:</b>					
ABN	AB, ABN					
	<b>Output circuit</b>					
M35	<b>Resolution PPR</b>	<b>Power supply VDC</b>	<b>Output circuit</b>	-	<b>Order key</b>	
	1-16384	4.75 - 30	HTL (TTL at 5 VDC)	-	N35	
		4.75 - 30	HTL, inv. (TTL/RS422 comp. at 5 VDC)	-	M35	
	<b>Electrical connections</b>					
L3	<b>Description</b>			<b>ABN inv. poss.</b>	<b>Order key</b>	
	<b>Cable: length (2 m standard, WDG 58T: 1 m)</b>					
	radial, shield connected to encoder housing			•	L3	
	<b>Connector: (shield connected to encoder housing)</b>					
	connector, M16x0.75, 5-pin, radial			-	SH5	
	connector, M16x0.75, 6-pin, radial			-	SH6	
	connector, M16x0.75, 8-pin, radial			•	SH8	
	connector, M16x0.75, 12-pin, radial			•	SH12	
	connector, M16x0.75, 7-pin, radial			-	S3	
	connector, M23, 12-pin, radial			•	S5	
	connector, clockwise pin count, M23, 12-pin, radial			•	S5R	
	sensor-connector, M12x1, 5-pin, radial			-	SC5	
sensor-connector, M12x1, 8-pin, radial			•	SC8		
	<b>Options</b>					
	<b>Description</b>			<b>Order key</b>		
	Low-friction bearings			AAC		
	Low temperature			ACA		
	Pressure equalising membrane			ACR		
	Without option			Empty		
	Cable length			XXX = Decimeter		

<b>Example Order No.=</b>	WDGI 58E	10	16384	ABN	M35	L3			WDGI 58E							<b>Your encoder</b>
---------------------------	----------	----	-------	-----	-----	----	--	--	----------	--	--	--	--	--	--	---------------------



For further information please contact our local distributor.  
Here you find a list of our distributors worldwide.  
<https://www.wachendorff-automation.com/contact-en/wachendorff-world-wide/>

# WACHENDORFF

Wachendorff Automation GmbH & Co. KG  
Industriestrasse 7 • 65366 Geisenheim  
Germany

Phone: +49 67 22 / 99 65 25  
E-Mail: [wdg@wachendorff.de](mailto:wdg@wachendorff.de)  
[www.wachendorff-automation.de](http://www.wachendorff-automation.de)

