

Guided cable shaft copying WDGMS



Specifications of encoder:

Available PPR:

4, 9, 10, 15, 20, 25, 28, 30, 36, 40, 50, 60, 90, 100, 120, 125, 128, 150, 160, 180, 200, 235, 250, 300, 314, 318, 360, 400, 500, 600, 635, 720, 900, 1000, 1024, 1080, 1200, 1250, 1500, 1800, 2000, 2048, 2500. (Other PPRs on request)

Mechanical Data

Housing

- Screw flange: Aluminium
- Cap: Aluminium, powder coated
Diameter: 40 mm

Shaft

- Material: stainless steel
- Diameter: 6 mm with flat
- Length: 13 mm
- Permitted load on shaft end: max. 80 N radial, max. 50 N axial
- Starting torque: approx. 0.2 Ncm at ambient temperature

Bearings

- Type: 2 precision ball bearings
- Service life: 1x 10⁸ revs. at 100 % shaft load, 2x 10⁹ revs. at 40 % shaft load, 1x 10¹⁰ revs. at 20 % shaft load

Max. operating speed: 12000 rpm

Weight: approx. 300 g with cable

Connections: K2-030: cable axial with 3 m cable

Protection rating : IP67, shaft sealed to IP65 (EN 60529)

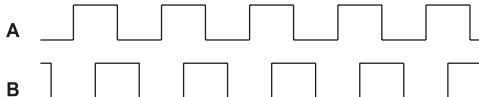
Operating temperature: -20 °C up to +85 °C

Storage temperature: -30 °C up to +85 °C

Machinery Directive: basic data safety integrity level

MTTF_d: 200 a
Mission time (T_M): 25 a
Nominale service life (L_{10h}): 1x 10¹⁰ revs. at 12000 rpm and 20 % rated shaft load
Diagnostic coverage (DC): 0 %

Puls diagram:



Customs tariff number: 90318020

Country of origin: Germany

2023-05-02 / Specifications without engagement, subject to errors and modifications.

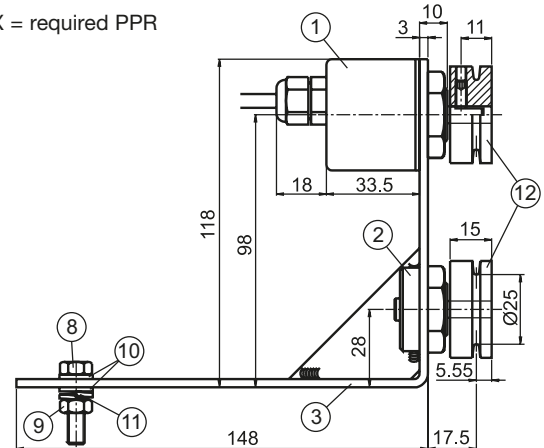
- Complete Measuring System for Length Measurement
- No slip when speed below 1 m/s
- Height typically 17 stops, approx. 53 m
- Resolution until 0.03 mm
- Quick assembly
- Applications: digital shaft copy for lifts, exact measurement of distance and speed

www.wachendorff-automation.com/wdgms

The guided cable shaft copying WDGMS comprises:

1 WDG 40S-XXXX-AB-H24-K2-030	1x WDG 40S according to data sheet
2 Redirect pulley	1x PULLEY-ZVK (incl. Nut)
3 Mounting angle	1x MKMWRT0001-ZVK
4 Weight	1x MKGERT0000-ZVK
5 Spring	1x FESFDWG001-ZVK
6 Ring screw	2x SC80RS50Z0-ZVK (not shown)
7 Dowel I	2x MKDBM8SKU0-ZVK ((not shown))
8 Screws M6 x 25	2x SC60HG25Z0-ZVK
9 Nuts M6	2x MUM0M60000-ZVK
10 Washers U6	4x US601612M0-ZVK
11 Spring washers U6	2x US601612M1-ZVK
12 Roll of wire	2x MKRS635150-ZVK

XXXX = required PPR



Measurement drawing WDG-MS-40S-XXXX, dimensions in mm

Electrical Data:

Power supply: 10 VDC up to 30 VDC

Current consumption: max. 70 mA

Channels: A, B

Output: push-pull

Load: max. 40 mA

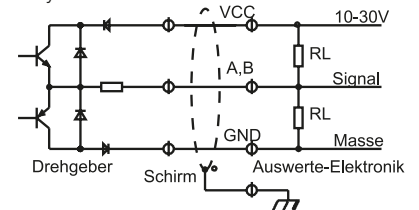
Signal level: to 20 mA

H > U - 2.5 VDC

L < 2.5 VDC

200 kHz

Circuit protection: yes



Ordering information:

Description:	Order No.:
Measuring System XXXX = Please specify required PPR (Roll of wire Ø 25 mm)	WDG-MS-40S-XXXX
Accessories: Measuring wire xxx = length in meters Example: Measuring wire, 1 m length	WDGMSXXX WDGMS001