



Datasheet

Length measurement system LMSMA22 conical

www.wachendorff-automation.com/lmsma22-conical

Wachendorff Automation

... systems and encoders

- Complete systems
- Industrial rugged encoders to suit your application
- Standard range and customer versions
- Maximum permissible loads
- 48-hour express production
- Made in Germany
- Worldwide distributor network

Robust length measurement system LMSMA22 with measuring wheel KW (conical)



- Compact system with new spring-loaded arm, including special encoder and 200 mm measuring wheel KW
- Up to 0.008 mm/impulse for measurement results
- Suitable for many surfaces
- Absorbent mounting
- Contact pressure – easily adaptable by intelligent central adjustment
- Versatile mounting (e.g. mounting profile)

www.wachendorff-automation.com/lmsma22-conical

Resolution encoder with	
200 ppr:	1 pulse/mm = 1.0 mm/pulse
2000 ppr:	10 pulses/mm = 0.1 mm/pulse
5000 ppr:	25 pulses/mm = 0.04 mm/pulse
25000 ppr:	125 pulses/mm = 0.008 mm/pulse

Mechanical Data of the system modules

Housing encoder	
Flange	clamping flange
Flange material	aluminium
Housing cap	die cast aluminum, powder coated

Shaft(s)	
Shaft material	stainless steel
Starting torque	approx. 1 Ncm at ambient temperature

Shaft	conical
Shaft length	L: 20 mm
Max. permissible shaft loading radial	220 N
Max. permissible shaft loading axial	120 N

Bearings	
Max. operating speed	8000 rpm

Spring loaded arm	
Adjustable prestressing force	0 N up to 30 N in steps of 5 N
Length of spring lever axis	120 mm
Material	die cast aluminum
Interlock	Spring loaded arm can be interlocked at 100° to start position
Contact pressure	adjustable, 10°-step equates 5 N pressure increase


Machinery Directive: basic data safety integrity level	
MTTF _g	200 a
Mission time (T _m)	25 a
Nominale service life (L _{10h})	1 x 10 ¹¹ revs. at 20 % rated shaft load and 8000 rpm
Diagnostic coverage (DC)	0 %

Electrical Data	
Power supply/	4.75 VDC up to 5.5 VDC: max. 100 mA
Current consumption	10 VDC up to 30 VDC: max. 100 mA
Output circuit	TTL, HTL
Channels	ABN and inverted signals
Load	max. 40 mA / channel
Circuit protection	10 VDC up to 30 VDC, HTL only

Accuracy	
Phase offset	90° ± max. 7,5 % of the pulse length
pulse-/pause-ratio	50 % ± max. 7 %

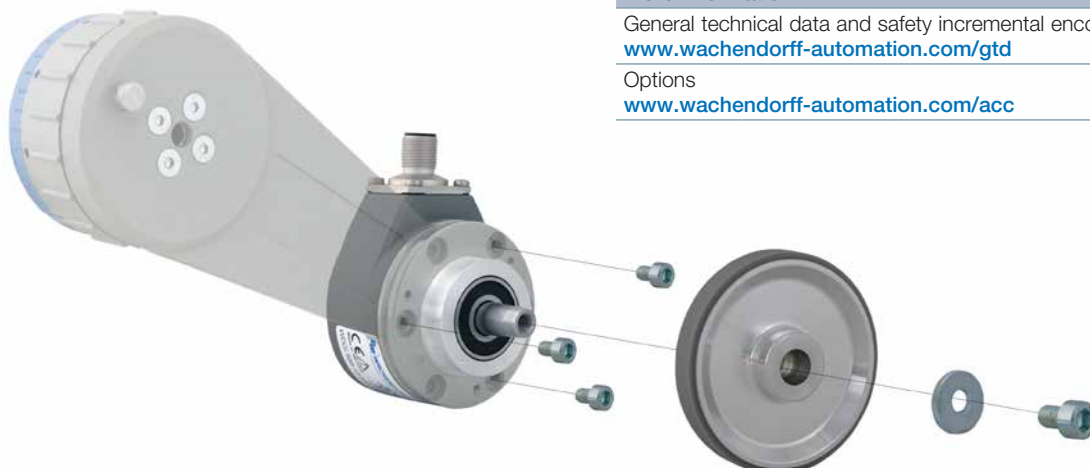
General Data	
Weight	approx. 880 g
Connection	Connector radial
Protection rating (EN 60529)	IP67, shaft sealed to IP65

Operating temperature	
LMSxxxKW:	-30 °C up to +80 °C

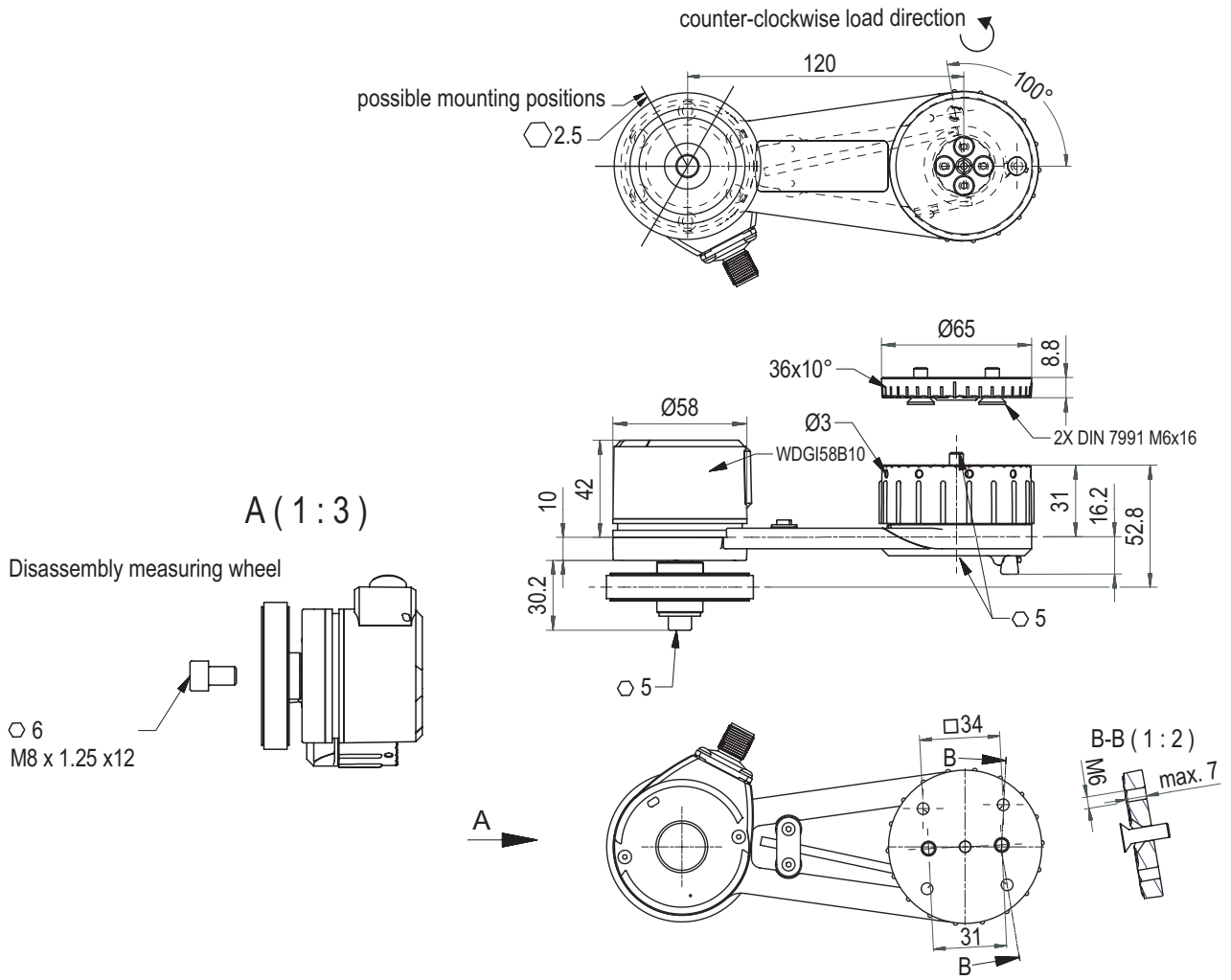
Measuring wheel U = 200 mm	
 MRA200KW: (even)	Range of application: greased metals, steel profiles, laquered surfaces, synthetics, paper, paperboard, wood, textiles, wire, leather

Other features / characteristics:
Optimum wear values under high mechanical loads.
Load High resistance to oils, fuels, ozone and weathering.

More information	
General technical data and safety incremental encoders www.wachendorff-automation.com/gtd	
Options www.wachendorff-automation.com/acc	



Sensor-connector (M12x1) SC, 8-pin



Description

SC8 radial, 8-pin, connector connected to encoder housing

Assignment	
	SC8
	8-pin
Circuit	P05, R05, P24, R24
GND	1
+UB	2
A	3
B	4
N	5
Light reserve warning	-
A inv.	6
B inv.	7
N inv.	8
n. c.	-
Shield	-

Order No.:



LMSMA22100024KW10
 LMSMA22100005KW10
 LMSMA22010024KW10
 LMSMA22010005KW10
 LMSMA22004024KW10
 LMSMA22004005KW10
 LMSMA22000824KW10
 LMSMA22000805KW10

mm/pulses	Pulses	LMSMA22100024KW10	LMSMA22100005KW10	LMSMA22010024KW10	LMSMA22010005KW10	LMSMA22004024KW10	LMSMA22004005KW10	LMSMA22000824KW10	LMSMA22000805KW10
1,0	200	•	•						
0,1	2000			•	•				
0,04	5000					•	•		
0,008	25000							•	•
VDC									
10 up to 30 HTL		•	•	•	•	•	•		
4.75 up to 5.5 TTL			•	•	•	•	•		•

Measuring wheel U = 200 mm MRA200KW:

Range of application: greased metals, steel profiles, laquered surfaces, synthetics, paper, paperboard, wood, textiles, wire, leather

Other features / characteristics: Optimum wear values under high mechanical loads. Load High resistance to oils, fuels, ozone and weathering. weathering.

For further assistance please feel free to contact us.

We would be happy to help you to find the suitable resolution, measurement wheel, cable length or other accessory to optimize your application.



For further information please contact our local distributor.
Here you find a list of our distributors worldwide.
http://www.wachendorff-automation.com/distributors_worldwide.html



Wachendorff Automation GmbH & Co. KG
Industriestrasse 7 • D-65366 Geisenheim

Tel.: +49 (0) 67 22 / 99 65 - 25
Fax: +49 (0) 67 22 / 99 65 - 70
E-Mail: wdg@wachendorff.de
www.wachendorff-automation.com

