

Starterkit with absolute encoder WDGA36A Get to know CANopen

- EnDra®: maintenance-free and environmentally friendly
- CANopen, Singleturn (12 Bit), Multiturn (18 Bit)
- Communication Profile according to CiA DS-301
- Device Profile for encoder CiA DS-406 V3.2 class C2
- Forward-looking technology with 32 Bit processor



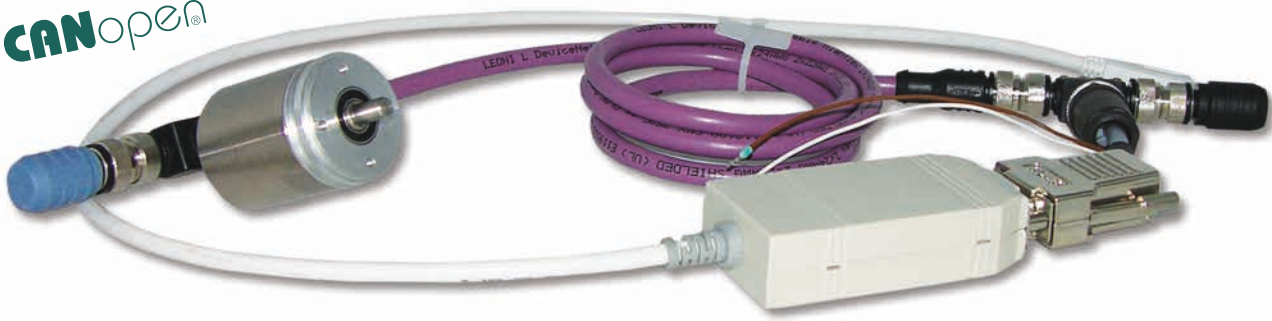
CANopen



Industrially RUGGED

Starterkit with absolute encoder WDGA36A CANopen

CANopen®



The starterkit includes:



1x encoder WDGA36A
www.wachendorff-automation.com/wdga36acan



1x stub / bus cable with 1 m cable,
www.wachendorff-automation.com/cvk567



2x 2-port junction systems, T-junction,
www.wachendorff-automation.com/CTA216701



1x PEAK CAN-USB-Analyzer
 with connection adapter
www.wachendorff-automation.com/canusbanalyzer

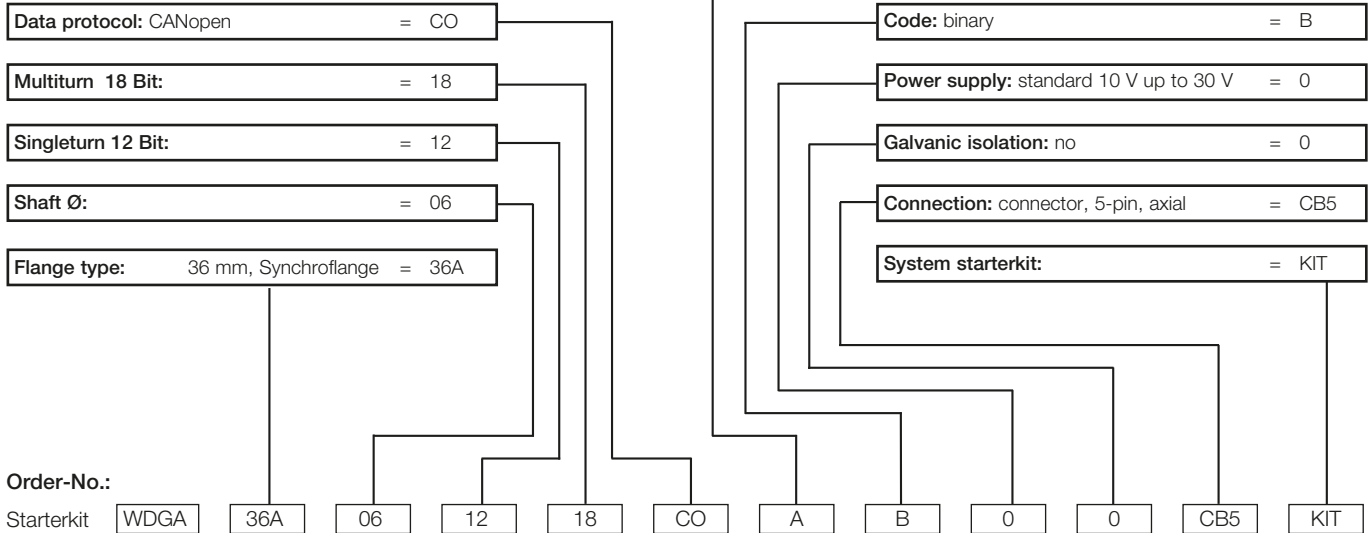


1x termination resistor 120 Ohm, connector
www.wachendorff-automation.com/CEW12067S



1x termination resistor 120 Ohm, female connector
www.wachendorff-automation.com/CEW12067B

Ordering information:



Any Questions? Just call us at +49 (0) 6722/9965-414, send us an E-Mail to support-wdga@wachendorff.de or call your local distributor: www.wachendorff-automation.com/distri



Wachendorff Automation GmbH & Co. KG
 Industriestrasse 7 • D-65366 Geisenheim

Tel.: +49 (0) 67 22 / 99 65 - 25
 Fax: +49 (0) 67 22 / 99 65 - 70
 E-Mail: wdg@wachendorff.de
www.wachendorff-automation.com



2019

Your distributor: