



Online Data sheet

Encoder WDGA 58E PROFIBUS-DP (cov)

www.wachendorff-automation.com/wdga58epbb

Discontinued product

Wachendorff Automation

... systems and encoders

- Complete systems
- Industrial rugged encoders to suit your application
- Standard range and customer versions
- Maximum permissible loads
- 48-hour express production
- Made in Germany
- Worldwide distributor network

Encoder WDGA 58E absolute PROFIBUS-DP, with EnDra®- Technology



Illustration similar

EnDra®
Technologie

PROFI
BUS

PIV CERTIFIED
PROFIBUS • PROFINET

- EnDra®: maintenance-free and environmentally friendly
- PROFIBUS-DP, Single-turn/Multi-turn
- Compact design with buscover
- Single-turn/Multi-turn (max. 14 bit/39 bit)
- Forward-looking technology with 32 Bit processor
- 2 colour-duo LED's as indicator for operating condition and bus status
- High shaft load up to 80 N [8.157 kp] radial, 50 N [5.098 kp] axial
- Device Profile switchable, Class 3, 4

www.wachendorff-automation.com/wdga58epbb

Mechanical Data

Flange	hollow shaft (blind-bored)
Flange material	aluminum
Housing material	zinc-plated
Intermediate piece	steel case chrome-plated, magnetic shielding
Torque supports	incl. 1 torque support WDGDS10019
- 1. Spring plate compensation	axial: ±1.2 mm [0.0472"], radial: ±0.2 mm [0.0079"]
- Max. operating speed	6000 rpm up to max. protection rating +80 °C
Flange diameter	Ø 58 mm [Ø 2.283"]

Shaft(s)

Shaft material	stainless steel
Starting torque	approx. 1.6 Ncm [2.266 in-ozf] at ambient temperature
Fixing	permanently attached clamping ring

Shaft	Ø 6 mm [Ø 0.236"]
Advice	with adapter sleeve
Shaft length	L: 17 mm [0.669"]
Insertion depth min.	10 mm [0.394"]
Insertion depth max.	19 mm [0.748"]
Max. Permissible shaft loading radial	80 N [8.157 kp]
Max. Permissible shaft loading axial	50 N [5.098 kp]

Shaft	Ø 6.35 mm [Ø 1/4"] Order No: 2Z
Advice	with adapter sleeve
Shaft length	L: 17 mm [0.669"]
Insertion depth min.	10 mm [0.394"]
Insertion depth max.	19 mm [0.748"]
Max. Permissible shaft loading radial	80 N [8.157 kp]
Max. Permissible shaft loading axial	50 N [5.098 kp]

Shaft	Ø 7 mm [Ø 0.276"]
Advice	with adapter sleeve
Shaft length	L: 17 mm [0.669"]
Insertion depth min.	10 mm [0.394"]
Insertion depth max.	19 mm [0.748"]
Max. Permissible shaft loading radial	80 N [8.157 kp]
Max. Permissible shaft loading axial	50 N [5.098 kp]

Shaft	Ø 8 mm [Ø 0.315"]
Advice	with adapter sleeve
Shaft length	L: 17 mm [0.669"]
Insertion depth min.	10 mm [0.394"]
Insertion depth max.	19 mm [0.748"]
Max. Permissible shaft loading radial	80 N [8.157 kp]
Max. Permissible shaft loading axial	50 N [5.098 kp]

Shaft	Ø 9.525 mm [Ø 3/8"] Order No: 4Z
Advice	with adapter sleeve
Shaft length	L: 17 mm [0.669"]
Insertion depth min.	10 mm [0.394"]
Insertion depth max.	19 mm [0.748"]
Max. Permissible shaft loading radial	80 N [8.157 kp]
Max. Permissible shaft loading axial	50 N [5.098 kp]

Shaft	Ø 10 mm [Ø 0.394"]
Advice	with adapter sleeve
Shaft length	L: 17 mm [0.669"]
Insertion depth min.	10 mm [0.394"]
Insertion depth max.	19 mm [0.748"]
Max. Permissible shaft loading radial	80 N [8.157 kp]
Max. Permissible shaft loading axial	50 N [5.098 kp]

Shaft	Ø 12 mm [Ø 0.472"]
Shaft length	L: 17 mm [0.669"]
Insertion depth min.	10 mm [0.394"]
Insertion depth max.	19 mm [0.748"]
Max. Permissible shaft loading radial	80 N [8.157 kp]
Max. Permissible shaft loading axial	50 N [5.098 kp]

Shaft	Ø 14 mm [Ø 0.551"]
Shaft length	L: 17 mm [0.669"]
Insertion depth min.	10 mm [0.394"]
Insertion depth max.	19 mm [0.748"]
Max. Permissible shaft loading radial	80 N [8.157 kp]
Max. Permissible shaft loading axial	50 N [5.098 kp]

Shaft	Ø 15 mm [Ø 0.591"]
Shaft length	L: 17 mm [0.669"]
Insertion depth min.	10 mm [0.394"]
Insertion depth max.	19 mm [0.748"]
Max. Permissible shaft loading radial	80 N [8.157 kp]
Max. Permissible shaft loading axial	50 N [5.098 kp]

Bearings

Bearings type	2 precision ball bearings
Nominal service life	1 x 10 ⁹ revs. at 100 % rated shaft load 1 x 10 ¹⁰ revs. at 40 % rated shaft load 1 x 10 ¹¹ revs. at 20 % rated shaft load
Max. operating speed	6000 rpm

Machinery Directive: basic data safety integrity level

MTTF _d	300 a
Mission time (TM)	20 a
Nominal service life (L10h)	1 x 10 ¹¹ revs. at 20 % rated shaft load and 6000 rpm
Diagnostic coverage (DC)	0 %

Electrical Data

Power supply/Current consumption	10 VDC up to 32 VDC: typ. 100 mA (24 VDC)
Power consumption	max. 2.5 W
Operating principle	magnetic

Sensor data

Single-turn technology	innovativ hall sensor technology
Single-turn resolution	up to 16,384 steps/360° (14 bit)
Single-turn accuracy	< ±0.35°
Single-turn repeat accuracy	< ±0.20°
Internal cycle time	600 µs
Multi-turn technology	patented EnDra® technology no battery and no gear.
Multi-turn resolution	up to 39 bit

Environmental data

ESD (DIN EN 61000-4-2):	8 kV
Burst (DIN EN 61000-4-4):	2 kV
includes EMC:	DIN EN 61000-6-2 DIN EN 61000-6-3
Vibration: (DIN EN 60068-2-6)	50 m/s ² (10 Hz bis 2000 Hz)
Shock: (DIN EN 60068-2-27)	1000 m/s ² (6 ms)
Electrical Safety:	according DIN VDE 0160
Turn on time:	<1,5 s

Duty information

Customs tariff number:	90318020
Country of origin:	Germany

Interface

Interface:	PROFIBUS-DP
Protocol:	PROFIBUS-DPV2
Device Profile:	Class 3, 4

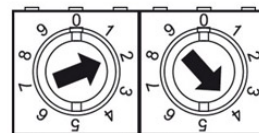
Line-Driver:	galvanic isolated
Baud rate:	max. 12 Mbaud
Function:	Multiturn
Nodeaddressing:	by switches in buscover
Code:	binary, CW default, programable
Programmable Parameter:	steps per Revolution counts of revolution Preset Scale Counting direction
Diagnostics:	Position and parameter errors EnDra®-diagnosis
Status encoder	DUO-LED in bus cover
Status Bus	DUO-LED in bus cover

Termination resistors:



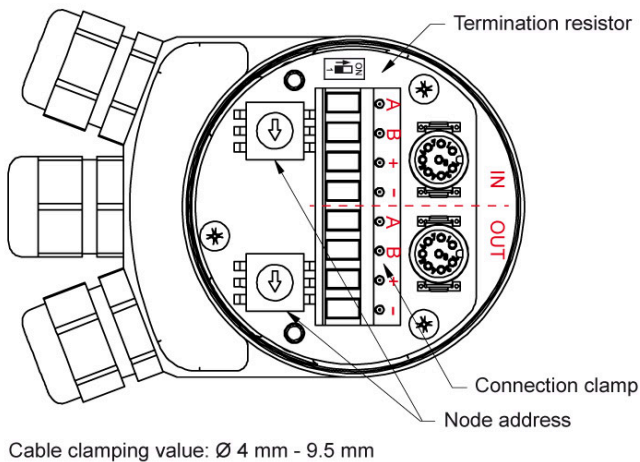
ON = last node
OFF = node X

Node address:



By switches
EG.: address 24

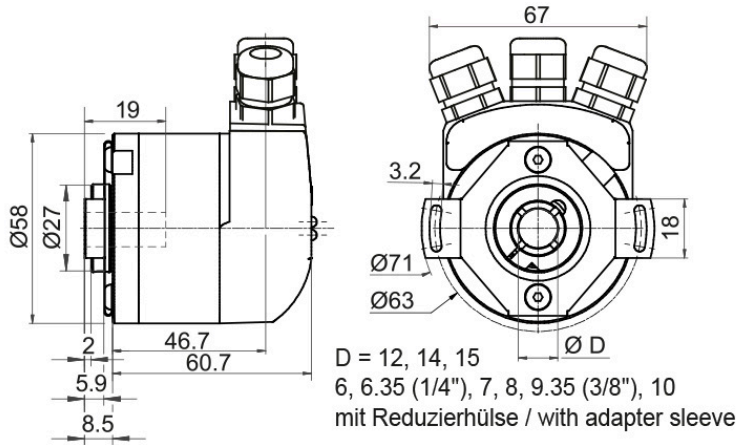
View in bus cover:



General Data	
Weight	approx. 410 g [14.462 oz]
Connections	bus cover
Protection rating (EN 60529)	Housing: IP65, IP67; shaft sealed: IP65
Operating temperature	-40 °C up to +85 °C [-40 °F up to 185 °F]
Storage temperature	-40 °C up to +100 °C [-40 °F up to 212 °F]

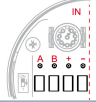
More Information	
General technical data and safety instructions http://www.wachendorff-automation.com/gtd	
Options http://www.wachendorff-automation.com/acc	

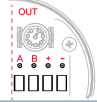
WDGA 58E PROFIBUS-DP, BP1, bus cover with 3x cable gland



Description

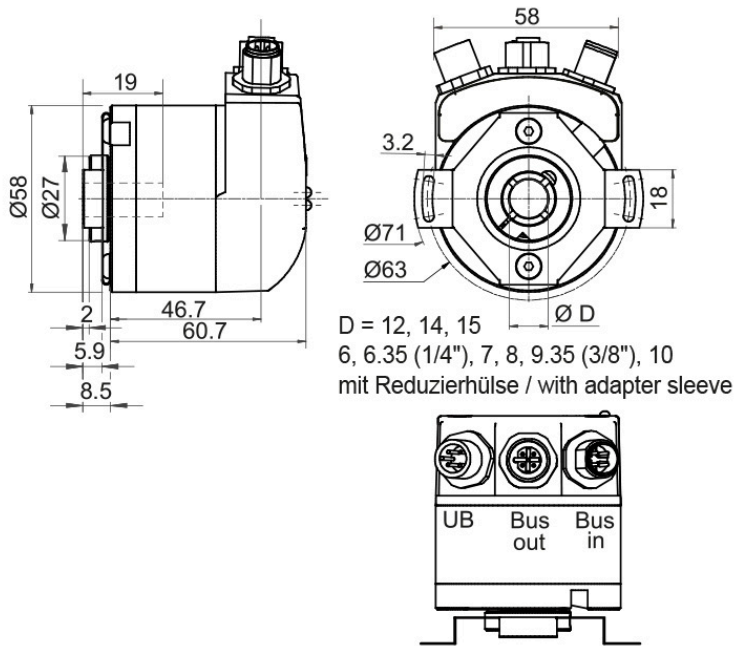
BP1 Bus cover with connection clamps (PG cable glands)

Assignments	
BP1	
	
A	1
B	2
(+) Vcc	3
GND	4

Assignments	
BP1	
	
A	5
B	6
(+) Vcc	7
GND	8


Discontinued product


WDGA 58E PROFIBUS-DP, BP2, bus cover with 3x M12x1




Description

BP2 Bus cover with 3x M12x1

Assignments	
	
connector (A)	M12x1, 4-pin, A-coded
(+) Vcc	1
n. c.	2
GND	3
n. c.	4

Assignments	
	
Female connector (B)	M12x1, 5-pin, B-coded
BUS	OUT
n. c.	1
A	2
n. c.	3
B	4
n. c.	5

Assignments	
	
connector (C)	M12x1, 5-pin, B-coded
BUS	IN
n. c.	1
A	2
n. c.	3
B	4
n. c.	5

Options

Low-friction bearings

The encoder WDGA 58E PROFIBUS-DP (cov) is also available as a particularly smooth-running low-friction encoder. The starting torque is thereby changed to 0.5 Ncm [0.708 in-ozf] and the protection class at the shaft input to IP50.

Order key

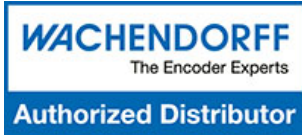
AAC

Discontinued product

Example Order No.	Type	Your encoder
WDGA 58E	WDGA 58E	WDGA 58E
	Shaft	Order key
12	Ø 6 mm [Ø 0.236"] with adapter sleeve	06
	Ø 6.35 mm [Ø 1/4"] Order No: 2Z with adapter sleeve	2Z
	Ø 7 mm [Ø 0.276"] with adapter sleeve	07
	Ø 8 mm [Ø 0.315"] with adapter sleeve	08
	Ø 9.525 mm [Ø 3/8"] Order No: 4Z with adapter sleeve	4Z
	Ø 10 mm [Ø 0.394"] with adapter sleeve	10
	Ø 12 mm [Ø 0.472"]	12
	Ø 14 mm [Ø 0.551"]	14
	Ø 15 mm [Ø 0.591"]	15
	Single-turn Resolution	Order key
12	Single-turn resolution 1 up to 14 bit, e. g. 12 bit = 12	12
	Multi-turn Resolution	Order key
18	Multi-turn up to 39 bit, e. G. 18 bit = 18	18
	Data protocol	Order key
DP	PROFIBUS-DP (with bus cover)	DP
	Software	Order key
A	up to date release	A
	Code	Order key
B	binary	B
	Power supply	Order key
0	10 V up to 32 V (standard)	0
	Galvanic isolation	Order key
1	yes	1
	Electrical connections	Order key
BP1	Intermediate piece:	
	Bus cover with connection clamps (PG cable glands)	BP1
	Bus cover with 3x M12x1	BP2
	Options	Order key
	Low-friction bearings	AAC

Example Order No.	WDGA 58E	12	12	18	DP	A	B	0	1	BP1	
--------------------------	----------	----	----	----	----	---	---	---	---	-----	--

WDGA 58E											Example Order No.
----------	--	--	--	--	--	--	--	--	--	--	--------------------------



For further information please contact our local distributor.
Here you find a list of our distributors worldwide.
<https://www.wachendorff-automation.com/>

Discontinued product

WACHENDORFF

Wachendorff Automation GmbH & Co. KG
Industriestrasse 7 • 65366 Geisenheim
Germany

Phone: +49 67 22 / 99 65 25
E-Mail: wdg@wachendorff.de
www.wachendorff-automation.de

