



Online Data sheet

Encoder WDGA 58D PROFIBUS-DP (con)

www.wachendorff-automation.com/wdga58dpbs

Discontinued product

Wachendorff Automation

... systems and encoders

- Complete systems
- Industrial rugged encoders to suit your application
- Standard range and customer versions
- Maximum permissible loads
- 48-hour express production
- Made in Germany
- Worldwide distributor network

Encoder WDGA 58D absolute PROFIBUS-DP, with EnDra®- Technology



Illustration similar

EnDra®
Technologie

PROFI
BUS

PIV CERTIFIED
PROFIBUS • PROFINET

Heavy duty

- EnDra®: maintenance-free and environmentally friendly
- PROFIBUS-DP, Single-turn/Multi-turn
- Single-/Multiturn (max. 14 bit/39 bit)
- Forward-looking technology with 32 Bit processor
- 2 colour-duo LED's as indicator for operating condition and bus status
- High shaft load: radial and axial 500 N [50.984 kp];
- Device Profile switchable, Class 3, 4

www.wachendorff-automation.com/wdga58dpbs

Mechanical Data	
Flange	clamping flange
Flange material	aluminum
Housing material	steel case chrome-plated, magnetic shielding
Flange diameter	Ø 58 mm [Ø 2.283"]

Shaft(s)	
Shaft material	stainless steel
Starting torque	approx. 1 Ncm [1.416 in-ozf] at ambient temperature
Shaft	Ø 12 mm [Ø 0.472"]
Shaft length	L: 25 mm [0.984"]
Max. Permissible shaft loading radial	400 N [40.787 kp]
Max. Permissible shaft loading axial	400 N [40.787 kp]

Bearings	
Bearings type	2 precision ball bearings
Nominal service life	1 x 10 ⁹ revs. at 100 % rated shaft load 1 x 10 ¹⁰ revs. at 40 % rated shaft load 1 x 10 ¹¹ revs. at 20 % rated shaft load
Max. operating speed	8000 rpm

Machinery Directive: basic data safety integrity level	
MTTF _d	300 a
Mission time (TM)	20 a
Nominal service life (L10h)	1 x 10 ¹¹ revs. at 20 % rated shaft load and 8000 rpm
Diagnostic coverage (DC)	0 %

Electrical Data	
Power supply/Current consumption	10 VDC up to 32 VDC: typ. 100 mA (24 VDC)
Power consumption	max. 2.5 W
Operating principle	magnetic

Sensor data	
Single-turn technology	innovativ hall sensor technology

Single-turn resolution	up to 16,384 steps/360° (14 bit)
Single-turn accuracy	< ±0.35°
Single-turn repeat accuracy	< ±0.20°
Internal cycle time	600 µs
Multi-turn technology	patented EnDra® technology no battery and no gear.
Multi-turn resolution	up to 39 bit

Environmental data	
ESD (DIN EN 61000-4-2):	8 kV
Burst (DIN EN 61000-4-4):	2 kV
includes EMC:	DIN EN 61000-6-2 DIN EN 61000-6-3
Vibration: (DIN EN 60068-2-6)	50 m/s ² (10 Hz bis 2000 Hz)
Shock: (DIN EN 60068-2-27)	1000 m/s ² (6 ms)
Electrical Safety:	according DIN VDE 0160
Turn on time:	<1,5 s

Duty information	
Customs tariff number:	90318020
Country of origin:	Germany

Interface	
Interface:	PROFIBUS-DP
Protocol:	PROFIBUS-DP/2
Device Profile:	Class 3, 4
Line-Driver:	galvanic isolated
Baud rate:	max. 12 MBaud
Function:	Multiturn
Nodeaddressing:	adjustable via software
Termination resistor:	non-existent
Code:	binary, CW default, programable
Programmable Parameter:	steps per revolution counts of revolution Preset Scale Counting direction

Diagnostics:	Position and parameter errors EnDra®-diagnosis
Status encoder:	DUO-LED
Status bus:	DUO-LED

General Data

Connections	connector outlet
Protection rating (EN 60529)	Housing: IP65, IP67; shaft sealed: IP65
Operating temperature	-40 °C up to +85 °C [-40 °F up to 185 °F]
Storage temperature	-40 °C up to +100 °C [-40 °F up to 212 °F]

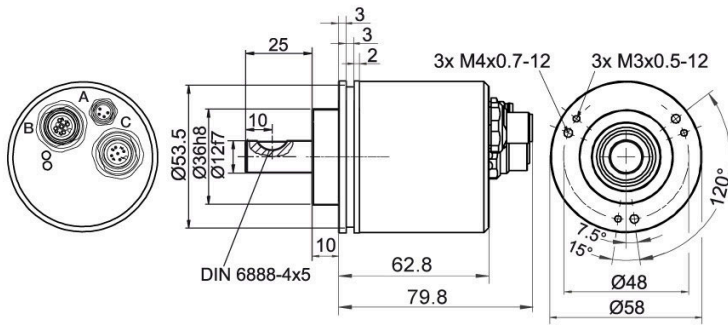
More Information

General technical data and safety instructions
<http://www.wachendorff-automation.com/gtd>

Options
<http://www.wachendorff-automation.com/acc>

Discontinued product

WDGA 58D PROFIBUS-DP with 1x M8x1, 2x M12x1, axial DB4



Description

DB4 axial, 1x M8, 4-pin; 1x M12, 5-pin; 1x M12, 4-pin,

Assignments	
connector (A)	M8x1, 4-pin
(+) Vcc	1
n. c.	2
GND	3
GND	4

Assignments	
Female connector (B)	M12x1, 5-pin, B-coded
BUS	OUT
5 V DP	1
A	2
GND DP	3
B	4
n. c.	5

Assignments	
connector (C)	M12x1, 4-pin, B-coded
BUS	IN
n. c.	1
A	2
n. c.	3
B	4

Options

Low-friction bearings

The encoder WDGA 58D PROFIBUS-DP (con) is also available as a particularly smooth-running low-friction encoder. The starting torque is thereby changed to 0.5 Ncm [0.708 in-ozf] and the protection class at the shaft input to IP50.

Order key

AAC

Discontinued product

Example Order No.	Type	Your encoder
WDGA 58D	WDGA 58D	WDGA 58D
	Shaft	Order key
12	Ø 12 mm [Ø 0.472"]	12
	Single-turn Resolution	Order key
12	Single-turn resolution 1 up to 14 bit, e. g. 12 bit = 12	12
	Multi-turn Resolution	Order key
18	Multi-turn up to 39 bit, e. G. 18 bit = 18	18
	Data protocol	Order key
DP	PROFIBUS-DP (without bus cover)	DP
	Software	Order key
A	up to date release	A
	Code	Order key
B	binary	B
	Power supply	Order key
0	10 V up to 32 V (standard)	0
	Galvanic isolation	Order key
1	yes	1
	Electrical connections	Order key
DB4	Connector:	DB4
	connector, 1x M8, 4-pin; 1x M12, 5-pin; 1x M12, 4-pin, axial	
	Options	Order key
	Low-friction bearings	AAC

Example Order No.	WDGA 58D	12	12	18	DP	A	B	0	1	DB4	
--------------------------	----------	----	----	----	----	---	---	---	---	-----	--

WDGA 58D											Example Order No.
----------	--	--	--	--	--	--	--	--	--	--	--------------------------

Discontinued product



For further information please contact our local distributor.
Here you find a list of our distributors worldwide.
<https://www.wachendorff-automation.com/>

Discontinued product

WACHENDORFF

Wachendorff Automation GmbH & Co. KG
Industriestrasse 7 • 65366 Geisenheim
Germany

Phone: +49 67 22 / 99 65 25
E-Mail: wdg@wachendorff.de
www.wachendorff-automation.de

