



Online Data sheet

Encoder WDGA 58B PROFIBUS-DP (cov)

www.wachendorff-automation.com/wdga58bpbb

Discontinued product

Wachendorff Automation

... systems and encoders

- Complete systems
- Industrial rugged encoders to suit your application
- Standard range and customer versions
- Maximum permissible loads
- 48-hour express production
- Made in Germany
- Worldwide distributor network

Encoder WDGA 58B absolute PROFIBUS-DP, with bus cover and with EnDra®- Technology



Illustration similar

EnDra®
Technologie

PROFI
BUS

PIV CERTIFIED
PROFIBUS • PROFINET

- EnDra®: maintenance-free and environmentally friendly
- PROFIBUS-DP, Single-turn/Multi-turn
- Compact design with bus cover
- Single-turn/Multi-turn (max. 14 bit/39 bit)
- Forward-looking technology with 32 Bit processor
- 2 colour-duo LED's as indicator for operating condition and bus status
- High shaft load up to 220 N [22.433 kp] radial, 120 N [12.236 kp] axial
- Device Profile switchable, Class 3, 4

www.wachendorff-automation.com/wdga58bpbb

Mechanical Data

Flange	clamping flange
Flange material	aluminum
Housing material	zinc-plated
Intermediate piece	steel case chrome-plated, magnetic shielding
Flange diameter	Ø 58 mm [Ø 2.283"]

Shaft(s)

Shaft material	stainless steel
Starting torque	approx. 1 Ncm [1.416 in-ozf] at ambient temperature

Shaft	Ø 6 mm [Ø 0.236"]
Advice	Attention: No option AAO = full IP67 version
Shaft length	L: 12 mm [0.472"]
Max. Permissible shaft loading radial	125 N [12.746 kp]
Max. Permissible shaft loading axial	120 N [12.236 kp]

Shaft	Ø 8 mm [Ø 0.315"]
Advice	Attention: No option AAO = full IP67 version
Shaft length	L: 19 mm [0.748"]
Max. Permissible shaft loading radial	125 N [12.746 kp]
Max. Permissible shaft loading axial	120 N [12.236 kp]

Shaft	Ø 10 mm [Ø 0.394"]
Shaft length	L: 20 mm [0.787"]
Max. Permissible shaft loading radial	220 N [22.433 kp]
Max. Permissible shaft loading axial	120 N [12.236 kp]

Shaft	Ø 9.525 mm [Ø 3/8"] Order No: 4Z
Advice	Attention: No option AAO = full IP67 version
Shaft length	L: 20 mm [0.787"]
Max. Permissible shaft loading radial	220 N [22.433 kp]
Max. Permissible shaft loading axial	120 N [12.236 kp]

Bearings

Bearings type	2 precision ball bearings
---------------	---------------------------

Nominale service life	1 x 10 ⁹ revs. at 100 % rated shaft load 1 x 10 ¹⁰ revs. at 40 % rated shaft load 1 x 10 ¹¹ revs. at 20 % rated shaft load
Max. operating speed	8000 rpm

Machinery Directive: basic data safety integrity level

MTTF _d	300 a
Mission time (TM)	20 a
Nominale service life (L10h)	1 x 10 ¹¹ revs. at 20 % rated shaft load and 8000 rpm
Diagnostic coverage (DC)	0 %

Electrical Data

Power supply/Current consumption	10 VDC up to 32 VDC: typ. 100 mA (24 VDC)
Power consumption	max. 2.5 W
Operating principle	magnetic

Sensor data

Single-turn technology	innovativ hall sensor technology
Single-turn resolution	up to 16,384 steps/360° (14 bit)
Single-turn accuracy	< ±0.35°
Single-turn repeat accuracy	< ±0.20°
Internal cycle time	600 µs
Multi-turn technology	patented EnDra® technology no battery and no gear.
Multi-turn resolution	up to 39 bit

Environmental data

ESD (DIN EN 61000-4-2):	8 kV
Burst (DIN EN 61000-4-4):	2 kV
includes EMC:	DIN EN 61000-6-2 DIN EN 61000-6-3
Vibration: (DIN EN 60068-2-6)	50 m/s ² (10 Hz bis 2000 Hz)
Shock: (DIN EN 60068-2-27)	1000 m/s ² (6 ms)
Electrical Safety:	according DIN VDE 0160
Turn on time:	<1,5 s

Duty information

Customs tariff number:	90318020
Country of origin:	Germany

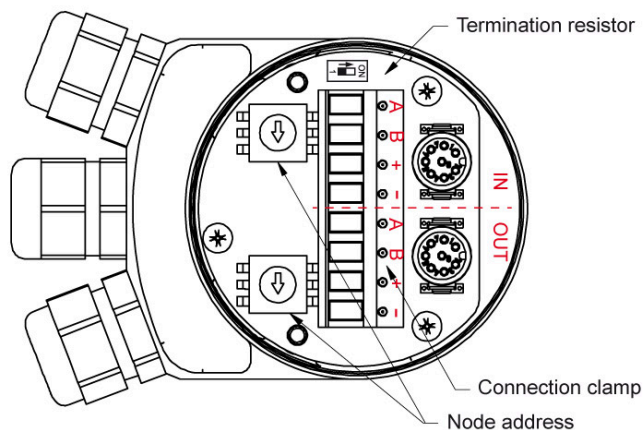
Interface	
Interface:	PROFIBUS-DP
Protocol:	PROFIBUS-DPV2
Device Profile:	Class 3, 4
Line-Driver:	galvanic isolated
Baud rate:	max. 12 Mbaud
Function:	Multiturn
Nodeaddressing:	by switches in buscover
Code:	binary, CW default, programable
Programmable Parameter:	steps per Revolution counts of revolution Preset Scale Counting direction
Diagnostics:	Position and parameter errors EnDra®-diagnosis
Status encoder	DUO-LED in bus cover
Status Bus	DUO-LED in bus cover

Termination resistors:



ON = last node
OFF = node X

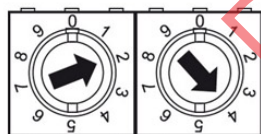
View in bus cover:



Cable clamping value: Ø 4 mm - 9.5 mm

Discontinued product

Node address:

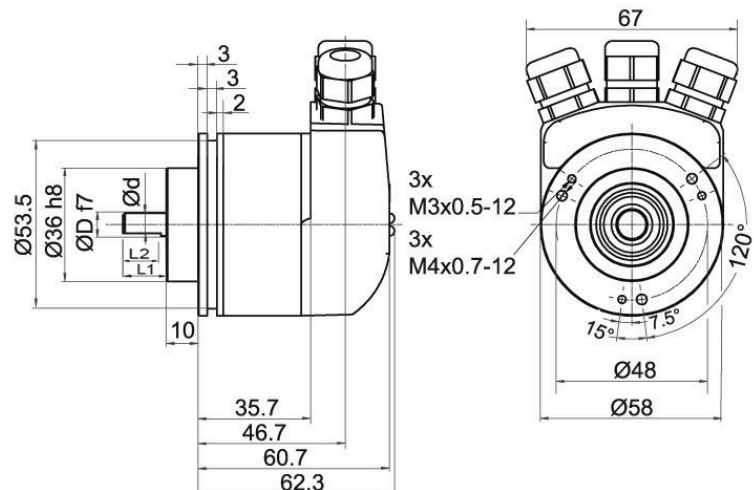


By switches
EG.: address 24

General Data	
Weight	approx. 700 g [24.691 oz]
Connections	bus cover
Protection rating (EN 60529)	Housing: IP65, IP67; shaft sealed: IP65
Operating temperature	-40 °C up to +85 °C [-40 °F up to 185 °F]
Storage temperature	-40 °C up to +100 °C [-40 °F up to 212 °F]

More Information	
General technical data and safety instructions	http://www.wachendorff-automation.com/gtd
Options	http://www.wachendorff-automation.com/acc

WDGA 58B PROFIBUS-DP, BP1, bus cover with 3x PG cable glands

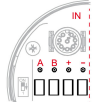


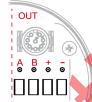
- D = 6, L1 = 12, d = 5.3, L2 = 10 shaft with flat
- D = 8, L1 = 19, d = 7.5, L2 = 15 shaft with flat
- D = 10, L1 = 20 shaft with out flat*
- D = 3/8", L1 = 20, d = 8.3, L2 = 10 shaft with flat

* Option full IP67 version: (only D = \varnothing 10 mm)
 D = 10, L1 = 20, d = 9, L2 = 15 shaft with flat

Description

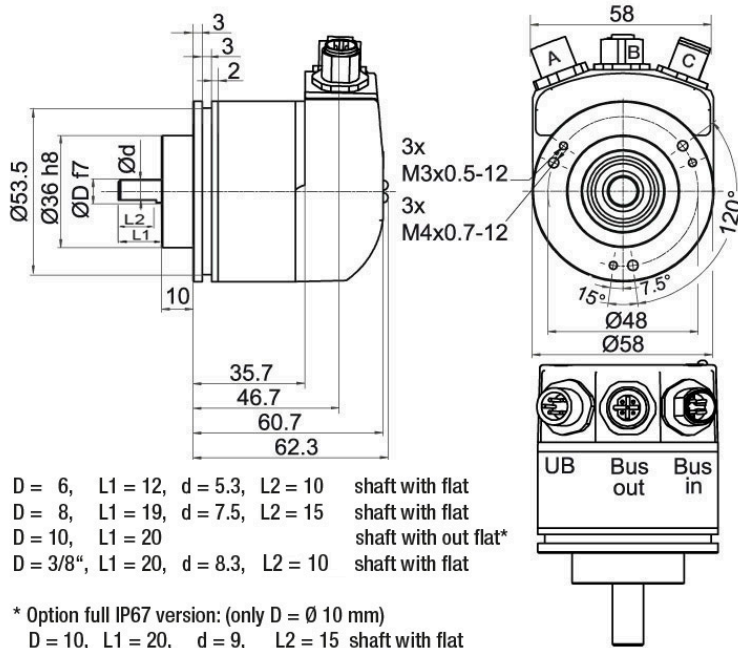
BP1 Bus cover with connection clamps (PG cable glands)

Assignments	
BP1	
	
A	1
B	2
(+) Vcc	3
GND	4

Assignments	
BP1	
	
A	5
B	6
(+) Vcc	7
GND	8

Discontinued product

WDGA 58B, PROFIBUS-DP, BP2, bus cover with 3x M12x1



Description

BP2 Bus cover with 3x M12x1

Assignments	
	BP2
connector (A)	M12x1, 4-pin, A-coded
(+) Vcc	1
n. c.	2
GND	3
n. c.	4

Assignments	
	BP2
Female connector (B)	M12x1, 5-pin, B-coded
BUS	OUT
n. c.	1
A	2
n. c.	3
B	4
n. c.	5

Assignments	
	BP2
connector (C)	M12x1, 5-pin, B-coded
BUS	IN
n. c.	1
A	2
n. c.	3
B	4
n. c.	5

Options**Low-friction bearings****Order key**

The encoder WDGA 58B PROFIBUS-DP (cov) is also available as a particularly smooth-running low-friction encoder. The starting torque is thereby changed to 0.5 Ncm [0.708 in-ozf] and the protection class at the shaft input to IP50.

AAC

Discontinued product

Example Order No.	Type	Your encoder
WDGA 58B	WDGA 58B	WDGA 58B
	Shaft	Order key
10	Ø 6 mm [Ø 0.236"] Attention: No option AAO = full IP67 version	06
	Ø 8 mm [Ø 0.315"] Attention: No option AAO = full IP67 version	08
	Ø 10 mm [Ø 0.394"]	10
	Ø 9.525 mm [Ø 3/8"] Order No: 4Z Attention: No option AAO = full IP67 version	4Z
	Single-turn Resolution	Order key
12	Single-turn resolution 1 up to 14 bit, e. g. 12 bit = 12	12
	Multi-turn Resolution	Order key
18	Multi-turn up to 39 bit, e. G. 18 bit = 18	18
	Data protocol	Order key
DP	PROFIBUS-DP (with bus cover)	DP
	Software	Order key
A	up to date release	A
	Code	Order key
B	binary	B
	Power supply	Order key
0	10 V up to 32 V (standard)	0
	Galvanic isolation	Order key
1	yes	1
	Electrical connections	Order key
BP1	Intermediate piece:	
	Bus cover with connection clamps (PG cable glands)	BP1
	Bus cover with 3x M12x1	BP2
	Options	Order key
	Without option	Empty
	Low-friction bearings	AAC

Example Order No.	WDGA 58B	10	12	18	DP	A	B	0	1	BP1	
-------------------	----------	----	----	----	----	---	---	---	---	-----	--

WDGA 58B											Example Order No.
----------	--	--	--	--	--	--	--	--	--	--	-------------------



For further information please contact our local distributor.
Here you find a list of our distributors worldwide.
<https://www.wachendorff-automation.com/>

Discontinued product

WACHENDORFF

Wachendorff Automation GmbH & Co. KG
Industriestrasse 7 • 65366 Geisenheim
Germany

Phone: +49 67 22 / 99 65 25
E-Mail: wdg@wachendorff.de
www.wachendorff-automation.de

