

Making Marking Systems even more powerful



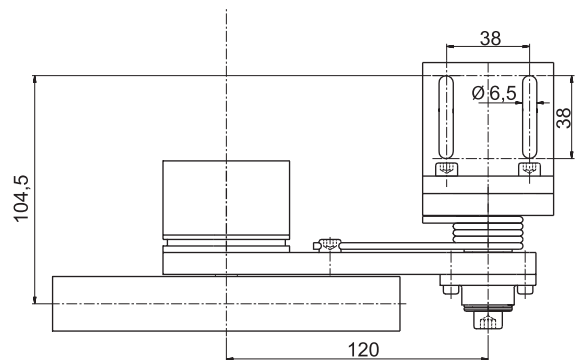
- Higher pulse rates for high resolution print images: 5000, 10000, 12500, 20000, 25000 PPR
- Complete systems, with a selection of spring levers and measuring wheels to suit all surfaces
- Cushioned bearings and very high bearing loads guarantee a long service life



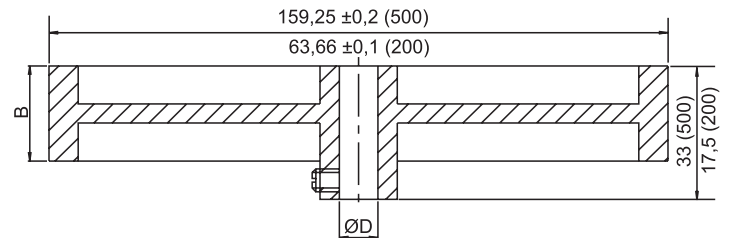
Spring lever for length determination and speed measurement in continuous processes



- For encoder WDG 58 B
- Variable installation from below, from above, horizontal, vertical
- Adjustable prestressing force: 20, 25 and 30 N
- Variable running direction on production line
- Can be combined with all measuring wheels of 500 mm circumference



Measuring wheels



Fields of application	Circumference	Surface finish	Hardness Shore A	Wheel body material	Standard bore-hole D	Width B
Rubber, soft plastics, certain textiles, rough wood	500 mm	Metal, knurled		Aluminium	10 mm	25 mm
Wood with even, surface, plastics, wire, greased metals, paper, pasteboard, textile	500 mm	Synthetic (Hytrel, even)	85...90	Plastic	10 mm	25 mm
Paper, pasteboard, cable, ungreased metals, raw wood, plastics, wire	500 mm	Synthetic (Vulkollan, even)	90...95	Aluminium	10 mm	25 mm
Carpets, coarse textiles	500 mm	Rubber, fluted		Aluminium	10 mm	25 mm
Paper, pasteboard, cable, ungreased metal, raw, wood, plastics, textiles, floor coverings	500 mm	Synthetic (Hytrel, chequered)	85...90	Plastic	10 mm	25 mm
Rubber, soft plastics, certain textiles, rough wood	200 mm	Metal, knurled		Aluminium	6 mm	12 mm
Wood with even, surface, plastics, wire, greased metals	200 mm	Synthetic (Hytrel, even)	85...90	Plastic	6 mm 10 mm	12 mm
Carpets, coarse textiles	200 mm	Rubber, fluted		Aluminium	6 mm 10 mm	12 mm
Paper, pasteboard, cable, ungreased metal, raw wood, plastics, textiles, floor coverings, leather	200 mm	Synthetic (Hytrel, chequered)	85...90	Plastic	6 mm 10 mm	12 mm

NEW: Encoder WDG58B up to 25,000 PPR

Encoders WDG

Wachendorff's WDG encoders are finely-tuned measuring systems, combining precision mechanics, a compact optical track and very powerful but insensitive electronics. Moreover they come with a high protection rating and a wide operating temperature range, making these Wachendorff encoders some of the safest and most rugged on the market.

Application fields

Electric motors, machine tools, weigh scales, conveyors, printing machines, drives, textile machines, production lines, injection-moulding machines, test machines, elevators/lifts, doors and gates, coding systems

More pulses for more precise measurement

The higher resolutions of 10,000/ 12,500/ 20,000 or 25,000 pulses for the hollow and solid shaft encoder series WDG58, now offered by Wachendorff, allow for more precise measurement where needed. For example for coding systems.

Mechanically rugged

All encoders have double and clearance-free shaft bearings with the maximum possible distance between the bearings, thus obtaining maximum long-term load capacity. The bearings are treated with a special grease able to withstand extreme temperatures, high speeds and loads, as well as constant operation in reverse. The grease remains stable over a long period of time.

Our flexibility is your advantage!

The Wachendorff development team has already implemented many different variations and options. We are sure to have a suitable encoder and an economic solution for your application in our WDG series. If not we will develop an individual and optimal solution. Naturally we offer the relevant accessories.

We'll advise you gladly – challenge us.

Application examples



Length and speed measurement for continuous processes



Speed measurement for quality control of films



Position measurement in bottle inspection

Any Questions? Just call Tatjana Weigelt +49 (0) 67 22/99 65-25, send her an E-Mail at tw@wachendorff.de or call your local distributor.



Wachendorff Automation GmbH & Co. KG
Industriestrasse 7 • D-65366 Geisenheim

Phone: +49 (0) 67 22 / 99 65 - 25
Fax: +49 (0) 67 22 / 99 65 - 70
E-Mail: wdg@wachendorff.de
www.wachendorff-automation.de

Please contact your local distributor: