



Online Data Sheet

Encoder WDGA 58B SAEJ1939 galv. isolation

www.wachendorff-automation.com/wdga58bsaej1939galv

Wachendorff Automation

... systems and encoders

- Complete systems
- Industrial rugged encoders to suit your application
- Standard range and customer versions
- Maximum permissible loads
- 48-hour express production
- Made in Germany
- Worldwide distributor network

Encoder WDGA 58B absolute CAN SAE J1939 galv. isolation, magnetic, with EnDra®- Technology



EnDra®
Technologie

SAE J1939

- EnDra® Technology:
- CAN SAE J1939 protocol
- Galvanic isolation
- Single-turn/Multi-turn (16 bit / 32 bit)
- Forward-looking technology with 32 Bit processor
- 2-colour-LED as indicator for operating condition
- High shaft load up to 220 N radial, 120 N axial

www.wachendorff-automation.com/wdga58bsaej1939galv

Mechanical Data	
Housing	
Flange	clamping flange
Flange material	aluminum
Housing cap	steel case chrome-plated, magnetic shielding
Housing	Ø 58 mm
Shaft(s)	
Shaft material	stainless steel
Starting torque	approx. 1 Ncm at ambient temperature, approx. 1.416 in-ozf at ambient temperature
Shaft	Ø 6 mm
Advice	Attention: No option AAS = full IP67 version
Shaft length	L: 12 mm
Max. Permissible shaft loading radial	125 N
Max. Permissible shaft loading axial	120 N
Shaft	Ø 8 mm
Advice	Attention: No option AAS = full IP67 version
Shaft length	L: 19 mm
Max. Permissible shaft loading radial	125 N
Max. Permissible shaft loading axial	120 N
Shaft	Ø 10 mm
Shaft length	L: 20 mm
Max. Permissible shaft loading radial	220 N
Max. Permissible shaft loading axial	120 N
Shaft	Ø 9.525 mm, Ø 3/8"
Advice	Attention: No option AAS = full IP67 version
Shaft length	L: 20 mm, L: 0.787 in
Max. Permissible shaft loading radial	220 N, 22.434 kp
Max. Permissible shaft loading axial	120 N, 12.237 kp
Bearings	
Bearings type	2 precision ball bearings

Nominale service life	1 x 10 ⁹ revs. at 100 % rated shaft load 1 x 10 ¹⁰ revs. at 40 % rated shaft load 1 x 10 ¹¹ revs. at 20 % rated shaft load
Max. operating speed	8000 rpm

Electrical Data	
Power supply/Current consumption	10 VDC up to 32 VDC: typ. 100 mA
Power consumption	max. 1 W

Sensor data	
Single-turn technology	innovative hall sensor technology
Single-turn resolution	65.536 steps/360° (16 bit)
Single-turn accuracy	< ±0.35°
Single-turn repeat accuracy	< ±0.20°
Internal cycle time	600 µs
Multi-turn technology	patented EnDra® technology no battery, no gear.
Multi-turn resolution	up to 32 bit

Environmental data	
Environmental data:	
ESD (DIN EN 61000-4-2):	8 kV
Burst (DIN EN 61000-4-4):	2 kV
includes EMC:	DIN EN 61000-6-2 DIN EN 61000-6-3
Vibration: (DIN EN 60068-2-6)	50 m/s ² (10 Hz up to 2000 Hz)
Shock: (DIN EN 60068-2-27)	1000 m/s ² (6 ms)
Design:	according DIN VDE 0160
Turn on time:	<1,5 s

Interface	
Interface:	CAN
CAN physical layer:	ISO 11898 (High Speed CAN)
Protocol:	ISO 11898 (High Speed CAN)
Baud rate:	Auto-Baud-Detection
Standard Preset configuration:	(other configurations on request)
Direction of counting:	(View from shaft end) ccw
ECU-adress:	0x 0A
Process data Identifier:	0x18FF000A

PGN:	0xFF00
Process data mapping:	Byte 0-3 32 Bit Position Value Byte 4 8 Bit Error Register PDU timer and Position Preset can be adjusted by PGN configuration 0xEF00 (Prop. A)
PDU - Time:	50 ms (default)
Configuration - PGN:	0x EF 00 (Prop.A)
Byte 0:	0x 01
Byte 1:	0x FF
Byte 2:	PDU time LSB
Byte 3:	PDU time MSB
Byte 4:	Preset LSB
Byte 5, 6:	Preset
Byte 7:	Preset MSB

General Data

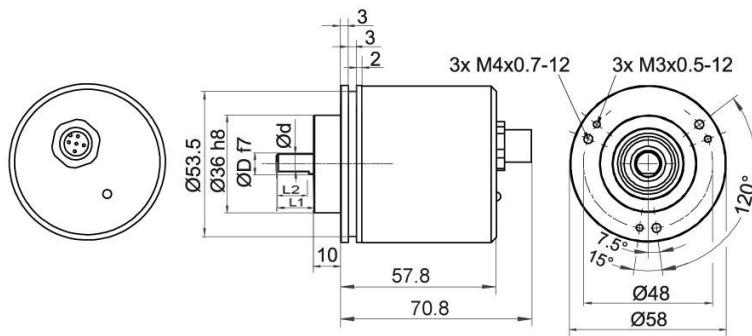
Connections	connector outlet
Protection rating (EN 60529)	Housing: IP65, IP67; shaft sealed: IP65
Operating temperature	-40 °C up to +85 °C, -40 °F up to +176 °F
Storage temperature	-40 °C up to +100 °C, -40 °F up to +212 °F

More Information

General technical data and safety instructions
<http://www.wachendorff-automation.com/gtd>

Options
<http://www.wachendorff-automation.com/acc>

WDGA 58B CAN SAE J1939, galv. isolation, with M12x1, axial CB5, 5-pin

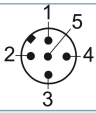


D = 6, L1 = 12, d = 5.3, L2 = 10 shaft with flat
 D = 8, L1 = 19, d = 7.5, L2 = 15 shaft with flat
 D = 10, L1 = 20 shaft with out flat*
 D = 3/8", L1 = 20, d = 8.3, L2 = 10 shaft with flat

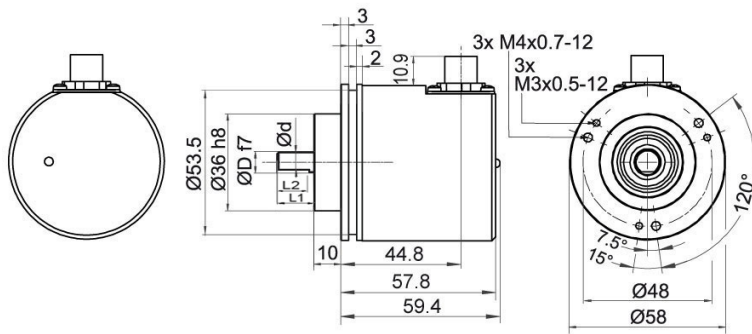
* Option full IP67 version: (only D = Ø 10 mm)
 D = 10, L1 = 20, d = 9, L2 = 15 shaft with flat

Description

CB5 axial, 5-pin, shield connected to encoder housing

Assignments	
	
(+) Vcc	2
GND	3
CANHigh	4
CANLow	5
CANGND shield	1

WDGA 58B CAN SAE J1939, galv. isolation, with M12x1, CC5, radial, 5-pin

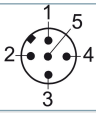


D = 6, L1 = 12, d = 5.3, L2 = 10 shaft with flat
 D = 8, L1 = 19, d = 7.5, L2 = 15 shaft with flat
 D = 10, L1 = 20 shaft with out flat*
 D = 3/8", L1 = 20, d = 8.3, L2 = 10 shaft with flat

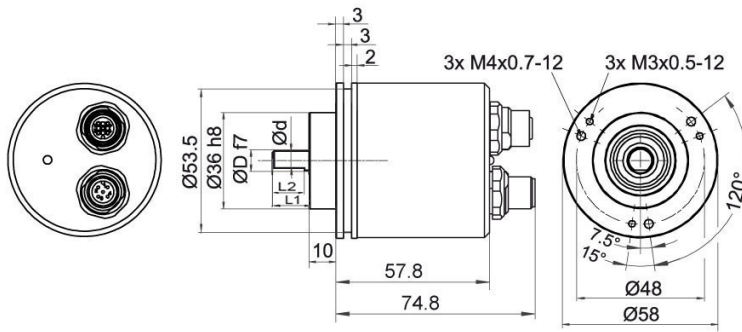
* Option full IP67 version: (only D = Ø 10 mm)
 D = 10, L1 = 20, d = 9, L2 = 15 shaft with flat

Description

CC5 radial, 5-pin, shield connected to encoder housing

Assignments	
	<p style="text-align: center;">CC5</p> 
(+) Vcc	2
GND	3
CANHigh	4
CANLow	5
CANGND shield	1

WDGA 58B CAN SAE J1939, galv. isolation, with 2x M12x1, axial DB5

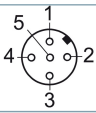


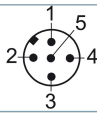
D = 6, L1 = 12, d = 5.3, L2 = 10 shaft with flat
 D = 8, L1 = 19, d = 7.5, L2 = 15 shaft with flat
 D = 10, L1 = 20 shaft with out flat*
 D = 3/8", L1 = 20, d = 8.3, L2 = 10 shaft with flat

* Option full IP67 version: (only D = Ø 10 mm)
 D = 10, L1 = 20, d = 9, L2 = 15 shaft with flat

Description

DB5 axial, 5-pin, shield connected to encoder housing

Assignments	
	
Female connector	M12x1, 5-pin
(+) Vcc	2
GND	3
CANHigh	4
CANLow	5
CANGND shield	1

Assignments	
	
Connector	M12x1, 5-pin
(+) Vcc	2
GND	3
CANHigh	4
CANLow	5
CANGND shield	1

Options

Shafts sealed to IP67, only with 10 mm shaft with flat

Order key

The encoder WDG 58B CAN SAE J1939 galv. isolation can be supplied in a full IP67 version.

AAS

Max. RPM: 3500 min⁻¹

Permitted Shaft-Loading: axial 100 N; radial 110 N

Starting-torque: approx. 4 Ncm at ambient temperature

120 Ohm terminating resistor

Order key

The encoder WDGA 58B CAN SAE J1939 galv. is also available with fixed 120 Ohm terminating resistor.

AEO

Example Order No.	Type	Your encoder
WDGA 58B	WDGA 58B	WDGA 58B
Shaft		
06	Ø 6 mm Attention: No option AAS = full IP67 version	06
	Ø 8 mm Attention: No option AAS = full IP67 version	08
	Ø 10 mm	10
	Ø 9.525 mm Ø 3/8" Attention: No option AAS = full IP67 version	4Z
Single-turn Resolution		
12	Single-turn resolution 1 bit up to 16 bit: (e. G. 12 bit)	12
Multi-turn Resolution		
18	Multi-turn up to 32 bit (e. G. 18 bit) (Single-turn + Multi-turn max. 32 bit) No Multi-turn: 00	18
Data protocol		
CJ	CAN SAE J1939 (galv. isolation)	CJ
Software		
A	up to date release	A
Code		
B	binary	B
Power supply		
0	10 V up to 32 V (standard)	0
Galvanic isolation		
1	yes	1
Electrical connections		
CB5	Connector:	
	sensor-connector, M12x1, 5-pin, axial, IP67, shield connected to encoder housing	CB5
	sensor-connector, M12x1, 5-pin, radial, IP67, shield connected to encoder housing	CC5
	sensor-connector/female connector, 2x M12x1, 5-pin, axial, IP67, shield connected to encoder housing	DB5
Options		
	Without option	Empty
	Shafts sealed to IP67, only with 10 mm shaft with flat	AAS
	120 Ohm terminating resistor	AEO

Example Order No.	WDGA 58B	06	12	18	CJ	A	B	0	1	CB5	
--------------------------	----------	----	----	----	----	---	---	---	---	-----	--

WDGA 58B											Example Order No.
----------	--	--	--	--	--	--	--	--	--	--	--------------------------



For further information please contact our local distributor.
Here you find a list of our distributors worldwide.
<https://www.wachendorff-automation.com/>



Wachendorff Automation GmbH & Co. KG
Industriestrasse 7 • 65366 Geisenheim
Germany

Phone: +49 67 22 / 99 65 25
Fax: +49 67 22 / 99 65 70
E-Mail: wdg@wachendorff.de
www.wachendorff-automation.de

