



Online Data sheet

Encoder WDGA 58D PROFINET-IO (cov)

www.wachendorff-automation.com/wdga58dpnb

Wachendorff Automation

... systems and encoders

- Complete systems
- Industrial rugged encoders to suit your application
- Standard range and customer versions
- Maximum permissible loads
- 48-hour express production
- Made in Germany
- Worldwide distributor network

Encoder WDGA 58D absolute PROFINET-IO, with bus cover and with EnDra®- Technology

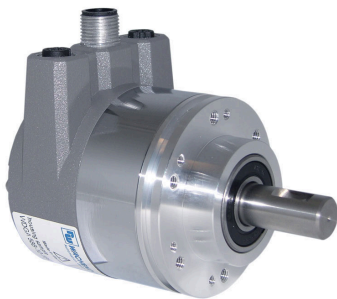


Illustration similar

EnDra®
Technologie

PROFI
NET

PIV CERTIFIED
PROFIBUS • PROFINET

Heavy duty

- EnDra®: maintenance-free and environmentally friendly
- PROFINET-IO Single-turn/Multi-turn
- Compact design with bus cover
- Single-turn/Multi-turn (max. 16 bit/43 bit)
- Forward-looking
- 2 colour-duo LED's as indicator for operating condition and bus status and 2 L/A LED's
- High shaft load: radial and axial 500 N [50.984 kp]
- Device Profile switchable, Class 3, 4

www.wachendorff-automation.com/wdga58dpcb

Mechanical Data	
Flange	clamping flange
Flange material	aluminum
Housing material	die cast aluminum, powder coated
Intermediate piece	steel case chrome-plated, magnetic shielding
Flange diameter	Ø 58 mm [Ø 2.283"]
Shaft(s)	
Shaft material	stainless steel
Starting torque	approx. 1 Ncm [1.416 in-ozf] at ambient temperature
Shaft	Ø 12 mm [Ø 0.472"]
Shaft length	L: 25 mm [0.984"]
Max. Permissible shaft loading radial	500 N [50.984 kp]
Max. Permissible shaft loading axial	500 N [50.984 kp]
Bearings	
Bearings type	3 precision ball bearings
Nominal service life	2 x 10 ⁸ revs. at 100 % rated shaft load 3.5 x 10 ⁹ revs. at 40 % rated shaft load 2.5 x 10 ¹⁰ revs. at 20 % rated shaft load
Max. operating speed	8000 rpm
Machinery Directive: basic data safety integrity level	
MTTF _d	300 a
Mission time (TM)	20 a
Nominal service life (L10h)	2.5 x 10 ¹⁰ revs. at 20 % rated shaft load and 8000 rpm
Diagnostic coverage (DC)	0 %
Electrical Data	
Power supply/Current consumption	10 VDC up to 32 VDC: typ. 125 mA
Power consumption	typ. 3 W
Operating principle	magnetic
Sensor data	

Single-turn technology	innovativ hall sensor technology
Single-turn resolution	up to 65,536 steps/360° (16 bit)
Single-turn accuracy	± 0.0878° (12 bit)
Single-turn repeat accuracy	± 0.0878° (12 bit)
Internal cycle time	50 µs
Multi-turn technology	patented EnDra® technology no battery and no gear.
Multi-turn resolution	43 bit

Integrated web server:	
Configurable	IP address Subnet mask Gateway address
Readable	Encoder parameters
Update	Firmware

Environmental data	
ESD (DIN EN 61000-4-2):	8 kV
Burst (DIN EN 61000-4-4):	2 kV
includes EMC:	DIN EN 61000-6-2 DIN EN 61000-6-3
Vibration: (DIN EN 60068-2-6)	200 m/s ² (10 Hz up to 1000 Hz)
Shock: (DIN EN 60068-2-27)	5000 m/s ² (6 ms)
Electrical Safety:	according DIN VDE 0160
Turn on time:	<1,5 s

Duty information	
Customs tariff number:	90318020
Country of origin:	Germany

Interface	
Interface:	Industrial Ethernet
Protocol:	PROFINET-IO (CC-C)
Device Profile:	V4.2, Class 3, 4
Data Transfer:	100BASE-TX
Cycle time:	250 µs, applicable for up to 125 µs
Function:	Multiturn

Code:	binary, CW default, programmable
Programmable Parameter:	steps per revolution counts of revolution preset scale counting direction MRPD MRP LLDP IRT
Diagnostics: (LED)	Traffic and connection management: L/A1: Port 1 L/A2: Port 2
Status LED:	STAT, MOD: status of encoder and bus

General Data

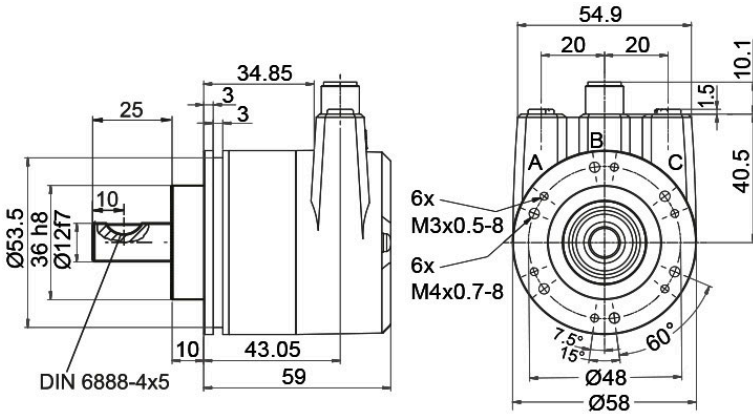
Weight	approx. 700 g [24.691 oz]
Connections	bus cover
Protection rating (EN 60529)	Housing: IP65, IP67; shaft sealed: IP65
Operating temperature	-40 °C up to +85 °C [-40 °F up to 185 °F]
Storage temperature	-40 °C up to +100 °C [-40 °F up to 212 °F]

More Information

General technical data and safety instructions
<http://www.wachendorff-automation.com/gtd>

Options
<http://www.wachendorff-automation.com/acc>

WDGA 58D, PROFINET-IO, BI2, bus cover with 3x M12x1



Description

BI2 Bus cover with 3x M12x1

Assignments	
	BI2
Female connector (Port1)	M12x1, 4-pin, D-coded
Tx+	1
Rx+	2
Tx-	3
Rx-	4

Assignments	
	BI2
connector (Power)	M12x1, 4-pin, A-coded
(+) Vcc	1
n. c.	2
GND	3
n. c.	4

Assignments	
	BI2
Female connector (Port2)	M12x1, 4-pin, D-coded
Tx+	1
Rx+	2
Tx-	3
Rx-	4

Options

Low-friction bearings

Order key

The encoder WDGA 58D PROFINET-IO (cov) is also available as a particularly smooth-running low-friction encoder. The starting torque is thereby changed to 0.5 Ncm [0.708 in-ozf] and the protection class at the shaft input to IP50.

AAC

Example Order No.	Type	Your encoder	
WDGA 58D	WDGA 58D	WDGA 58D	
	Shaft	Order key	
12	Ø 12 mm [Ø 0.472"]	12	
	Single-turn Resolution	Order key	
16	Single-turn 1 up to 16 bit, e. g. 12 bit = 12	16	
	Multi-turn Resolution	Order key	
43	Multi-turn 0 up to 43 bit, e. G. 43 bit = 43	43	
	Data protocol	Order key	
PN	PROFINET-IO (with bus cover)	PN	PN
	Software	Order key	
W	up to date release	W	W
	Code	Order key	
B	binary	B	B
	Power supply	Order key	
0	10 V up to 32 V (standard)	0	0
	Galvanic isolation	Order key	
1	yes	1	1
	Electrical connections	Order key	
BI2	Connection cover:		BI2
	Bus cover with 3x M12x1	BI2	
	Options	Order key	
	Low-friction bearings	AAC	
	Without option	Empty	

Example Order No.	WDGA 58D	12	16	43	PN	W	B	0	1	BI2	
--------------------------	----------	----	----	----	----	---	---	---	---	-----	--

WDGA 58D				PN	W	B	0	1	BI2		Your encoder
----------	--	--	--	----	---	---	---	---	-----	--	---------------------



For further information please contact our local distributor.
Here you find a list of our distributors worldwide.
<https://www.wachendorff-automation.com/contact-en/wachendorff-world-wide/>

WACHENDORFF

Wachendorff Automation GmbH & Co. KG
Industriestrasse 7 • 65366 Geisenheim
Germany

Phone: +49 67 22 / 99 65 25
E-Mail: wdg@wachendorff.de
www.wachendorff-automation.de

