



Online Data Sheet

Encoder WDGA 58D CANopen LIFT galv. isolation

www.wachendorff-automation.com/wdga58dcanliftgalv

Wachendorff Automation

... systems and encoders

- Complete systems
- Industrial rugged encoders to suit your application
- Standard range and customer versions
- Maximum permissible loads
- 48-hour express production
- Made in Germany
- Worldwide distributor network

Encoder WDGA 58D absolute CANopen LIFT galv. isolation, magnetic, with EnDra®- Technology



EnDra®
Technologie

CANopen LIFT

Heavy duty

- EnDra® maintenance-free and environmentally friendly
- CANopen LIFT, Single-turn/Multi-turn
- Communication Profile according to CiA 301
- Application Profile CANopen Lift CiA 417
- Single-turn/Multi-turn (16 bit / 32 bit)
- Future-oriented technology with 32 Bit processor
- 2-colour-LED as indicator for operating condition and error message appropriate CiA 303-3
- High shaft load up to 400 N radial, 400 N axial

www.wachendorff-automation.com/wdga58dcanliftgalv

Mechanical Data

Housing	
Flange	clamping flange
Flange material	aluminum
Housing cap	steel case chrome-plated, magnetic shielding
Housing	Ø 58 mm

Shaft(s)	
Shaft material	stainless steel
Starting torque	approx. 1 Ncm at ambient temperature

Shaft	Ø 12 mm
Shaft length	L: 25 mm
Max. Permissible shaft loading radial	400 N
Max. Permissible shaft loading axial	400 N

Bearings	
Bearings type	2 precision ball bearings
Nominal service life	1 x 10 ⁹ revs. at 100 % rated shaft load 1 x 10 ¹⁰ revs. at 40 % rated shaft load 1 x 10 ¹¹ revs. at 20 % rated shaft load
Max. operating speed	8000 rpm

Electrical Data	
Power supply/Current consumption	10 VDC up to 32 VDC: typ. 100 mA
Power consumption	max. 1 W

Sensor data	
Single-turn technology	innovative hall sensor technology
Single-turn resolution	65,536 steps/360° (16 bit)
Single-turn accuracy	< ±0.35°
Single-turn repeat accuracy	< ±0.20°
Internal cycle time	600 µs
Multi-turn technology	patented EnDra® technology no battery and no gear.
Multi-turn resolution	up to 32 bit

Environmental data	
Environmental data:	
ESD (DIN EN 61000-4-2):	8 kV

Burst (DIN EN 61000-4-4):	2 kV
includes EMC:	DIN EN 61000-6-2 DIN EN 61000-6-3
Vibration: (DIN EN 60068-2-6)	50 m/s ² (10 Hz up to 2000 Hz)
Shock: (DIN EN 60068-2-27)	1000 m/s ² (6 ms)
Design:	according DIN VDE 0160
Turn on time:	<1,5 s

Interface

Interface:	CAN
Protocol:	CANopen <ul style="list-style-type: none"> • Communication profil CiA 301 • Application Profile CANopen LIFT CiA 417 V2.0 • Up to three virtual devices <i>car position unit (configurable)</i>
Node number:	1 up to 127 (default 4)
Baud rate:	50 kBaud up to 1 MBaud with automatic bit rate detection.
Advice:	The standard settings as well as any customization in the software can be changed via LSS (CiA 305) and the SDO protocol, e. g. PDOs, Scaling, Heartbeat, Node-ID, Baud rate, etc.

Programmable CAN transmission modes:	Synchronous mode: when a synchronisation telegram (SYNC) is received from another bus node, PDOs are transmitted independently. Asynchronous mode: a PDO message is triggered by an internal event. (e.g. change of measured valued, internal timer, etc.)
--------------------------------------	---

General Data

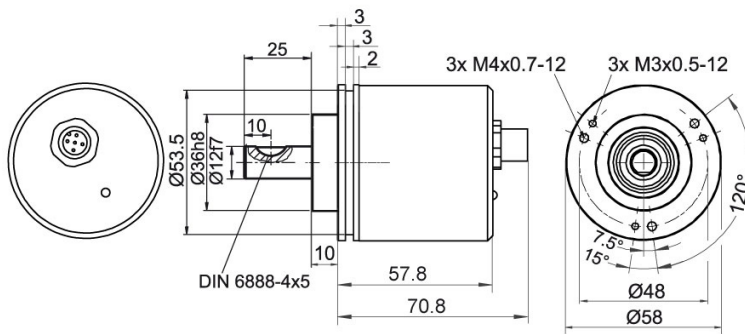
Connections	connector outlet
Protection rating (EN 60529)	Housing: IP65, IP67; shaft sealed: IP65
Operating temperature	-40 °C up to +85 °C
Storage temperature	-40 °C up to +100 °C

More Information

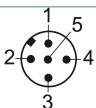
General technical data and safety instructions
<http://www.wachendorff-automation.com/gtd>

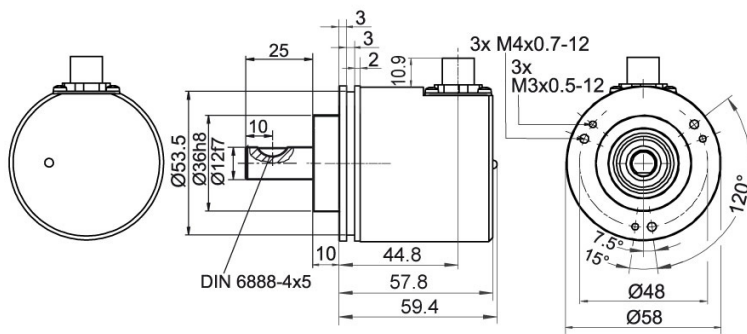
Options

<http://www.wachendorff-automation.com/acc>

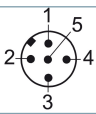
WDGA 58D CANopen LIFT, galv. isolation, with M12x1, axial CB5, 5-pin

Description

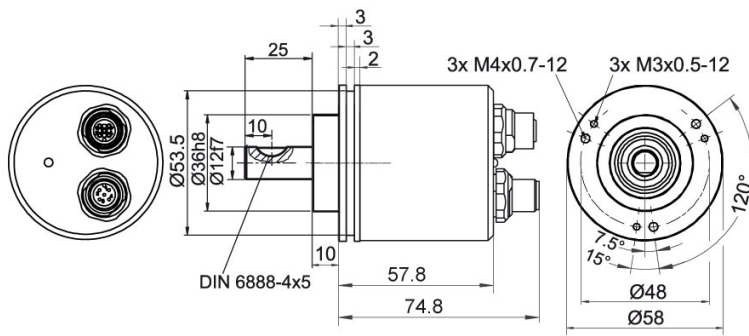
CB5 axial, 5-pin, shield connected to encoder housing

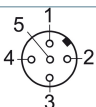
Assignments	
	CB5 
(+) Vcc	2
GND	3
CANHigh	4
CANLow	5
CANGND shield	1

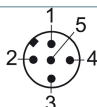
WDGA 58D CANopen LIFT, galv. isolation, with M12x1, CC5, radial, 5-pin

Description

CC5 radial, 5-pin, shield connected to encoder housing

Assignments	
	CC5 
(+) Vcc	2
GND	3
CANHigh	4
CANLow	5
CANGND shield	1

WDGA 58D CANopen LIFT, galv. isolation, with 2x M12x1, axial DB5

Description
DB5 axial, 5-pin, shield connected to encoder housing

Assignments	
	DB5 
Female connector	M12x1, 5-pin
(+) Vcc	2
GND	3
CANHigh	4
CANLow	5
CANGND shield	1

Assignments	
	DB5 
Connector	M12x1, 5-pin
(+) Vcc	2
GND	3
CANHigh	4
CANLow	5
CANGND shield	1

Options

120 Ohm terminating resistor

Order key

The encoder WDGA 58D CANopen LIFT galv. is also available with fixed 120 Ohm terminating resistor.

AEO

Example Order No.	Type	Your encoder
WDGA 58D	WDGA 58D	WDGA 58D
	Shaft	Order key
12	Ø 12 mm	12
	Single-turn Resolution	Order key
12	Single-turn resolution 1 bit up to 16 bit: (e. G. 12 bit)	12
	Multi-turn Resolution	Order key
18	Multi-turn resolution 1 bit up to 32 bit: (e. G. 18 bit) (Single-turn + Multi-turn max. 32 bit)	18
	Data protocol	Order key
CL	CANopen LIFT (galv. isolation)	CL
	Software	Order key
A	up to date release	A
	Code	Order key
B	binary	B
	Power supply	Order key
0	10 V up to 32 V (standard)	0
	Galvanic isolation	Order key
1	yes	1
	Electrical connections	Order key
CB5	Connector:	
	sensor-connector, M12x1, 5-pin, axial, IP67, shield connected to encoder housing	CB5
	sensor-connector, M12x1, 5-pin, radial, IP67, shield connected to encoder housing	CC5
	sensor-connector/female connector, 2x M12x1, 5-pin, axial, IP67, shield connected to encoder housing	DB5
	Options	Order key
	Without option	Empty
	120 Ohm terminating resistor	AEO

Example Order No.	WDGA 58D	12	12	18	CL	A	B	0	1	CB5	
--------------------------	----------	----	----	----	----	---	---	---	---	-----	--

WDGA 58D											Example Order No.
----------	--	--	--	--	--	--	--	--	--	--	--------------------------



For further information please contact our local distributor.
Here you find a list of our distributors worldwide.
<https://www.wachendorff-automation.com/>



Wachendorff Automation GmbH & Co. KG
Industriestrasse 7 • 65366 Geisenheim
Germany

Phone: +49 67 22 / 99 65 25
Fax: +49 67 22 / 99 65 70
E-Mail: wdg@wachendorff.de
www.wachendorff-automation.de

