



Online Data sheet

Encoder WDGA 58E CANopen

www.wachendorff-automation.com/wdga58ecan

Wachendorff Automation

... systems and encoders

- Complete systems
- Industrial rugged encoders to suit your application
- Standard range and customer versions
- Maximum permissible loads
- 48-hour express production
- Made in Germany
- Worldwide distributor network

Encoder WDGA 58E absolute CANopen, with EnDra®-Technology



Illustration similar

EnDra®
Technologie

CANopen®

- EnDra® multiturn technology: maintenance-free and environmentally friendly
- CANopen, Single-turn/Multi-turn
- Communication Profile according to CiA 301
- Device Profile for encoder CiA 406 V3.2 class C2
- Single-turn/Multi-turn (16 bit / 43 bit)
- Forward-looking technology with 32 Bit processor

www.wachendorff-automation.com/wdga58ecan

Mechanical Data

Flange	hollow shaft (blind-bored)
Flange material	aluminum
Housing material	Aluminum die cast, powder coated; Integrated magnetic shielding
Torque supports	incl. 1 torque support WDGDS10001
- 1. Spring plate compensation	axial: ±0.8 mm [0.0315"], radial: ±0.2 mm [0.0079"]
- Max. operating speed	6000 rpm up to max. protection rating +60 °C
- 2. Cylinder pin 4 mm	needs accessories WDGDS10005
- Compensation	axial: ±0.5 mm [0.0197"], radial: ±1.5 mm [0.0591"], Max. operating speed: 3000 rpm
Flange diameter	Ø 58 mm [Ø 2.283"]

Shaft(s)

Shaft material	stainless steel
Starting torque	approx. 1.6 Ncm [2.266 in-ozf] at ambient temperature
Fixing	permanently attached clamping ring
Shaft	Ø 6 mm [Ø 0.236"]
Advice	with adapter sleeve
Shaft length	L: 12 mm [0.472"]
Insertion depth min.	11 mm [0.433"]
Insertion depth max.	15 mm [0.591"]
Max. Permissible shaft loading radial	80 N [8.157 kp]
Max. Permissible shaft loading axial	50 N [5.098 kp]
Shaft	Ø 6.35 mm [Ø 1/4"] Order No: 2Z
Advice	with adapter sleeve
Shaft length	L: 12 mm [0.472"]
Insertion depth min.	11 mm [0.433"]
Insertion depth max.	15 mm [0.591"]
Max. Permissible shaft loading radial	80 N [8.157 kp]
Max. Permissible shaft loading axial	50 N [5.098 kp]
Shaft	Ø 7 mm [Ø 0.276"]
Advice	with adapter sleeve
Shaft length	L: 12 mm [0.472"]
Insertion depth min.	11 mm [0.433"]
Insertion depth max.	15 mm [0.591"]

Max. Permissible shaft loading radial	80 N [8.157 kp]
Max. Permissible shaft loading axial	50 N [5.098 kp]
Shaft	Ø 8 mm [Ø 0.315"]
Advice	with adapter sleeve
Shaft length	L: 12 mm [0.472"]
Insertion depth min.	11 mm [0.433"]
Insertion depth max.	15 mm [0.591"]
Max. Permissible shaft loading radial	80 N [8.157 kp]
Max. Permissible shaft loading axial	50 N [5.098 kp]
Shaft	Ø 9.525 mm [Ø 3/8"] Order No: 4Z
Advice	with adapter sleeve
Shaft length	L: 12 mm [0.472"]
Insertion depth min.	11 mm [0.433"]
Insertion depth max.	15 mm [0.591"]
Max. Permissible shaft loading radial	80 N [8.157 kp]
Max. Permissible shaft loading axial	50 N [5.098 kp]
Shaft	Ø 10 mm [Ø 0.394"]
Advice	with adapter sleeve
Shaft length	L: 12 mm [0.472"]
Insertion depth min.	11 mm [0.433"]
Insertion depth max.	15 mm [0.591"]
Max. Permissible shaft loading radial	80 N [8.157 kp]
Max. Permissible shaft loading axial	50 N [5.098 kp]
Shaft	Ø 12 mm [Ø 0.472"]
Shaft length	L: 12 mm [0.472"]
Insertion depth min.	11 mm [0.433"]
Insertion depth max.	15 mm [0.591"]
Max. Permissible shaft loading radial	80 N [8.157 kp]
Max. Permissible shaft loading axial	50 N [5.098 kp]
Shaft	Ø 12.7 mm [Ø 1/2"] Order No. 3Z
Advice	with adapter sleeve
Shaft length	L: 12 mm [0.472"]
Insertion depth min.	11 mm [0.433"]

Insertion depth max.	15 mm [0.591"]
Max. Permissible shaft loading radial	80 N [8.157 kp]
Max. Permissible shaft loading axial	50 N [5.098 kp]

Shaft	Ø 14 mm [Ø 0.551"]
Shaft length	L: 12 mm [0.472"]
Insertion depth min.	11 mm [0.433"]
Insertion depth max.	15 mm [0.591"]
Max. Permissible shaft loading radial	80 N [8.157 kp]
Max. Permissible shaft loading axial	50 N [5.098 kp]

Shaft	Ø 15 mm [Ø 0.591"]
Shaft length	L: 12 mm [0.472"]
Insertion depth min.	11 mm [0.433"]
Insertion depth max.	15 mm [0.591"]
Max. Permissible shaft loading radial	80 N [8.157 kp]
Max. Permissible shaft loading axial	50 N [5.098 kp]

Bearings

Bearings type	2 precision ball bearings
Nominale service life	1 x 10 ⁹ revs. at 100 % rated shaft load 1 x 10 ¹⁰ revs. at 40 % rated shaft load 1 x 10 ¹¹ revs. at 20 % rated shaft load
Max. operating speed	6000 rpm

Machinery Directive: basic data safety integrity level

MTTF _d	1000 a
Mission time (TM)	20 a
Nominale service life (L10h)	1 x 10 ¹¹ revs. at 20 % rated shaft load and 6000 rpm
Diagnostic coverage (DC)	0 %

Electrical Data

Power supply/Current consumption	4,75 VDC up to 32 VDC: typ. 50 mA
Power consumption	max. 0.5 W
Operating principle	magnetic

Sensor data

Single-turn technology	innovative hall sensor technology
Single-turn resolution	65,536 steps/360° (16 bit)
Single-turn accuracy	± 0.0878° (12 bit)
Single-turn repeat accuracy	± 0.0878° (12 bit)
Internal cycle time	600 µs
Multi-turn technology	patented EnDra® technology no battery and no gear.
Multi-turn resolution	up to 32 bit with high precision value up to 43 bit.

Environmental data

ESD (DIN EN 61000-4-2):	8 kV
Burst (DIN EN 61000-4-4):	2 kV
Includes EMC:	DIN EN 61000-6-2 DIN EN 61000-6-3 DIN EN 61326-1
Vibration: (DIN EN 60068-2-6)	300 m/s ² (10 Hz up to 2000 Hz)

Shock: (DIN EN 60068-2-27)	5000 m/s ² (6 ms)
Electrical Safety:	According DIN VDE 0160
Turn on time:	<1,5 s

Duty information

Customs tariff number:	90318020
Country of origin:	Germany

Interface

Interface:	CAN
Protocol:	CANopen <ul style="list-style-type: none"> • Communication profil CiA 301 • Device Profile for encoder CiA 406 V3.2 class C2
Node number:	1 up to 127 (default 127)
Baud rate:	10 kBaud up to 1 MBaud with automatic bit rate detection.
Advice:	The standard settings as well as any customization in the software can be changed via LSS (CiA 305) and the SDO protocol, e. g. PDOs, Scaling, Heartbeat, Node-ID, Baud rate, etc.

Programmable CAN transmission modes:	Synchronous mode: when a synchronisation telegram (SYNC) is received from another bus node, PDOs are transmitted independently. Asynchronous mode: a PDO message is triggered by an internal event. (e.g. change of measured valued, internal timer, etc.)
--------------------------------------	---

General Data

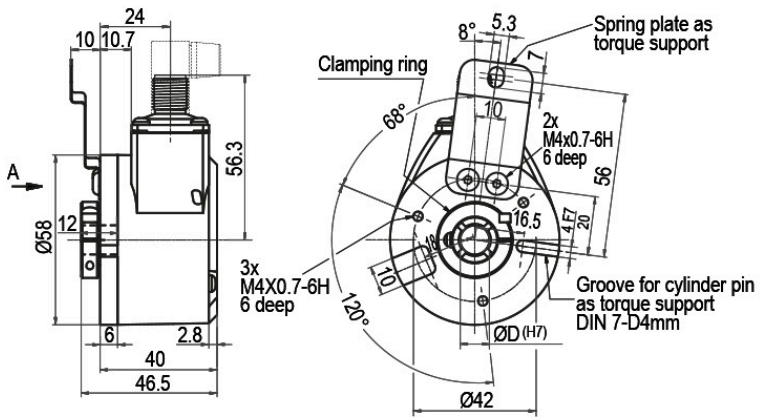
Weight	approx. 220 g [7.76 oz]
Connections	cable or connector, radial
Protection rating (EN 60529)	Housing: IP65, IP67; shaft sealed: IP65
Operating temperature	-40 °C up to +85 °C [-40 °F up to 185 °F]
Storage temperature	-40 °C up to +100 °C [-40 °F up to 212 °F]

More Information

General technical data and safety instructions
<http://www.wachendorff-automation.com/gtd>

Options
<http://www.wachendorff-automation.com/acc>

Connector, M12x1 CC5, 5-pin



Description

CC5 radial, 5-pin, shield connected to encoder housing

Assignments	
	<p>CC5</p>
(+) Vcc	2
GND	3
CANHigh	4
CANLow	5
CANGND shield	1

Options**Low-friction bearings**

The encoder WDGA 58E CANopen is also available as a particularly smooth-running low-friction encoder. The starting torque is thereby changed to approx. 0.6 Ncm [0.85 in-ozf] at ambient temperature and the protection class at the shaft input to IP50.

Order key**AAC****120 Ohm terminating resistor**

The encoder WDGA 58E CANopen is also available with fixed 120 Ohm terminating resistor.

Order key**AEO**

Example Order No.	Type	Your encoder	
WDGA 58E	WDGA 58E	WDGA 58E	
	Shaft	Order key	
06	Ø 6 mm [Ø 0.236"] with adapter sleeve	06	
	Ø 6.35 mm [Ø 1/4"] Order No: 2Z with adapter sleeve	2Z	
	Ø 7 mm [Ø 0.276"] with adapter sleeve	07	
	Ø 8 mm [Ø 0.315"] with adapter sleeve	08	
	Ø 9.525 mm [Ø 3/8"] Order No: 4Z with adapter sleeve	4Z	
	Ø 10 mm [Ø 0.394"] with adapter sleeve	10	
	Ø 12 mm [Ø 0.472"]	12	
	Ø 12.7 mm [Ø 1/2"] Order No. 3Z with adapter sleeve	3Z	
	Ø 14 mm [Ø 0.551"]	14	
	Ø 15 mm [Ø 0.591"]	15	
	Single-turn Resolution	Order key	
12	Single-turn resolution 1 bit up to 16 bit, recommended min. 6 bit (e. G. 12 bit)	12	
	Multi-turn Resolution	Order key	
18	Multi-turn resolution: (examples) 18 bit = 18 43 bit = 43 no Multiturn = 00	18	
	Data protocol	Order key	
CO	CANopen	CO	CO
	Software	Order key	
A	up to date release	A	A
	Code	Order key	
B	binary	B	B
	Power supply	Order key	
0	4.75 V up to 32 V (standard)	0	0
	Galvanic isolation	Order key	
0	no	0	0
	Electrical connections	Order key	
CC5	Cable: radial, shield connected to encoder housing, with 2 m cable	L3	
	Connector: sensor-connector, M12x1, 5-pin, radial, shield connected to encoder housing	CC5	
	Options	Order key	
	Low-friction bearings	AAC	
	120 Ohm terminating resistor	AEO	
	Without option	Empty	

Example Order No.	WDGA 58E	06	12	18	CO	A	B	0	0	CC5	
--------------------------	----------	----	----	----	----	---	---	---	---	-----	--

WDGA 58E				CO	A	B	0	0			Your encoder
----------	--	--	--	----	---	---	---	---	--	--	---------------------



For further information please contact our local distributor.
Here you find a list of our distributors worldwide.
<https://www.wachendorff-automation.com/contact-en/wachendorff-world-wide/>

WACHENDORFF

Wachendorff Automation GmbH & Co. KG
Industriestrasse 7 • 65366 Geisenheim
Germany

Phone: +49 67 22 / 99 65 25
E-Mail: wdg@wachendorff.de
www.wachendorff-automation.de

