



Online Data Sheet

Encoder WDGA 58E CANopen LIFT

www.wachendorff-automation.com/wdga58ecanlift

Wachendorff Automation

... systems and encoders

- Complete systems
- Industrial rugged encoders to suit your application
- Standard range and customer versions
- Maximum permissible loads
- 48-hour express production
- Made in Germany
- Worldwide distributor network

Encoder WDGA 58E absolute CANopen LIFT magnetic, with EnDra®-Technology



EnDra®
Technologie

CANopen LIFT

- EnDra® multiturn technology: maintenance-free and environmentally friendly
- CANopen LIFT, Single-turn/Multi-turn
- Communication Profile according to CiA 301
- Application Profile CANopen Lift CiA 417
- Single-turn/Multi-turn (16 bit / 32 bit)
- Future-oriented technology with 32 Bit processor

www.wachendorff-automation.com/wdga58ecanlift

Mechanical Data	
Housing	
Flange	hollow shaft (blind-bored)
Flange material	aluminum
Housing cap	Aluminum die cast, powder coated; Integrated magnetic shielding
Torque supports	incl. 1 torque support WDGDS10001
- 1. Spring plate compensation	axial: ±0.8 mm, radial: ±0.2 mm
- Max. operating speed	6000 rpm up to max. protection rating +60 °C
- 2. Cylinder pin 4 mm	needs accessories WDGDS10005
- Compensation	axial: ±0.5 mm, radial: ±1.5 mm, Max. operating speed: 3000 rpm
Housing	Ø 58 mm
Shaft(s)	
Shaft material	stainless steel
Starting torque	approx. 1.6 Ncm at ambient temperature
Fixing	permanently attached clamping ring
Shaft	Ø 6 mm
Advice	with adapter sleeve
Shaft length	L: 12 mm
Insertion depth min.	11 mm
Insertion depth max.	15 mm
Max. Permissible shaft loading radial	80 N
Max. Permissible shaft loading axial	50 N
Shaft	Ø 6.35 mm
Advice	with adapter sleeve
Shaft length	L: 12 mm
Insertion depth min.	11 mm
Insertion depth max.	15 mm
Max. Permissible shaft loading radial	80 N
Max. Permissible shaft loading axial	50 N
Shaft	Ø 7 mm
Advice	with adapter sleeve
Shaft length	L: 12 mm
Insertion depth min.	11 mm
Insertion depth max.	15 mm
Max. Permissible shaft loading radial	80 N

Max. Permissible shaft loading axial	50 N
Shaft	Ø 8 mm
Advice	with adapter sleeve
Shaft length	L: 12 mm
Insertion depth min.	11 mm
Insertion depth max.	15 mm
Max. Permissible shaft loading radial	80 N
Max. Permissible shaft loading axial	50 N
Shaft	Ø 9.525 mm, Ø 3/8"
Advice	with adapter sleeve
Shaft length	L: 12 mm
Insertion depth min.	11 mm
Insertion depth max.	15 mm
Max. Permissible shaft loading radial	80 N
Max. Permissible shaft loading axial	50 N
Shaft	Ø 10 mm
Advice	with adapter sleeve
Shaft length	L: 12 mm
Insertion depth min.	11 mm
Insertion depth max.	15 mm
Max. Permissible shaft loading radial	80 N
Max. Permissible shaft loading axial	50 N
Shaft	Ø 12 mm
Shaft length	L: 12 mm
Insertion depth min.	11 mm
Insertion depth max.	15 mm
Max. Permissible shaft loading radial	80 N
Max. Permissible shaft loading axial	50 N
Shaft	Ø 14 mm
Shaft length	L: 12 mm
Insertion depth min.	11 mm
Insertion depth max.	15 mm
Max. Permissible shaft loading radial	80 N

Max. Permissible shaft loading axial	50 N
--------------------------------------	------

Bearings

Bearings type	2 precision ball bearings
Nominale service life	1 x 10 ⁹ revs. at 100 % rated shaft load 1 x 10 ¹⁰ revs. at 40 % rated shaft load 1 x 10 ¹¹ revs. at 20 % rated shaft load
Max. operating speed	6000 rpm

Machinery Directive: basic data safety integrity level

MTTF _d	1000 a
Mission time (TM)	20 a
Nominale service life (L10h)	1 x 10 ¹¹ revs. at 20 % rated shaft load and 6000 rpm
Diagnostic coverage (DC)	0 %

Electrical Data

Power supply/Current consumption	10 VDC up to 32 VDC: typ. 50 mA
Power consumption	max. 0.5 W

Sensor data

Single-turn technology	innovative hall sensor technology
Single-turn resolution	65,536 steps/360° (16 bit)
Single-turn accuracy	< ±0.35°
Single-turn repeat accuracy	< ±0.20°
Internal cycle time	600 µs
Multi-turn technology	patented EnDra® technology no battery and no gear.
Multi-turn resolution	up to 32 bit

Environmental data

Environmental data:

ESD (DIN EN 61000-4-2):	8 kV
Burst (DIN EN 61000-4-4):	2 kV
includes EMC:	DIN EN 61000-6-2 DIN EN 61000-6-3
Vibration: (DIN EN 60068-2-6)	300 m/s ² (10 Hz up to 2000 Hz)
Shock: (DIN EN 60068-2-27)	1000 m/s ² (6 ms)
Design:	according DIN VDE 0160
Turn on time:	<1,5 s

Interface

Interface:	CAN
Protocol:	CANopen <ul style="list-style-type: none"> • Communication profil CiA 301 • Application Profile CANopen LIFT CiA 417 V2.0 • Up to three virtual devices <i>car position unit (configurable)</i>
Node number:	1 up to 127 (default 4)
Baud rate:	10 kBaud up to 1 MBaud with automatic bit rate detection.
Advice:	The standard settings as well as any customization in the software can be changed via LSS (CiA 305) and the SDO protocol, e. g. PDOs, Scaling, Heartbeat, Node-ID, Baud rate, etc.

Programmable CAN transmission modes:

Synchronous mode:

when a synchronisation telegram (SYNC) is received from another bus node, PDOs are transmitted independently.

Asynchronous mode:

a PDO message is triggered by an internal event. (e.g. change of measured valued, internal timer, etc.)

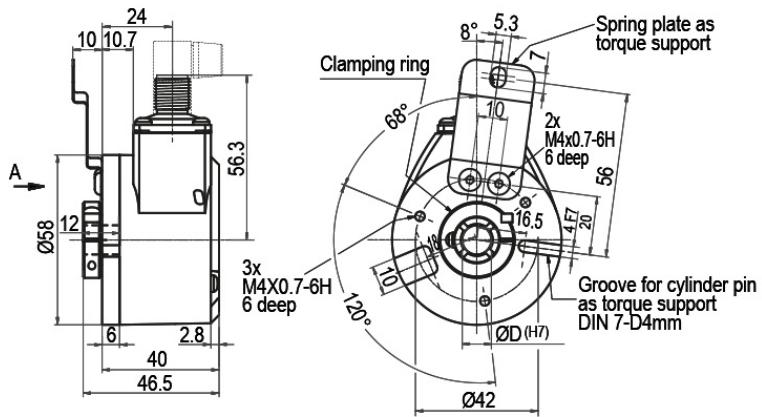
General Data

Weight	approx. 220 g
Connections	connector outlet
Protection rating (EN 60529)	Housing: IP65, IP67; shaft sealed: IP65
Operating temperature	-40 °C up to +85 °C
Storage temperature	-40 °C up to +100 °C

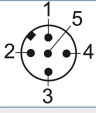
More Information

General technical data and safety instructions
<http://www.wachendorff-automation.com/gt>

Options
<http://www.wachendorff-automation.com/acc>

Connector, M12x1, radial, CC5, 5-pin

Description

CC5 radial, 5-pin, shield connected to encoder housing

Assignments	
	CC5 
(+) Vcc	2
GND	3
CANHigh	4
CANLow	5
CANGND shield	1

Example Order No.	Type	Your encoder
WDGA 58E	WDGA 58E	WDGA 58E
	Shaft	Order key
06	Ø 6 mm with adapter sleeve	06
	Ø 6.35 mm with adapter sleeve	2Z
	Ø 7 mm with adapter sleeve	07
	Ø 8 mm with adapter sleeve	08
	Ø 9.525 mm Ø 3/8" with adapter sleeve	4Z
	Ø 10 mm with adapter sleeve	10
	Ø 12 mm	12
	Ø 14 mm	14
	Single-turn Resolution	Order key
12	Single-turn resolution 1 bit up to 16 bit: (e. G. 12 bit)	12
	Multi-turn Resolution	Order key
18	Multi-turn resolution 1 bit up to 32 bit: (e. G. 18 bit) (Single-turn + Multi-turn max. 32 bit)	18
	Data protocol	Order key
CL	CANopen LIFT	CL
	Software	Order key
A	up to date release	A
	Code	Order key
B	binary	B
	Power supply	Order key
0	10 V up to 32 V (standard)	0
	Galvanic isolation	Order key
0	no	0
	Electrical connections	Order key
CC5	Connector: sensor-connector, M12x1, 5-pin, radial, IP67, shield connected to encoder housing	CC5

Example Order No.	WDGA 58E	06	12	18	CL	A	B	0	0	CC5
--------------------------	----------	----	----	----	----	---	---	---	---	-----

WDGA 58E										Example Order No.
----------	--	--	--	--	--	--	--	--	--	--------------------------



For further information please contact our local distributor.
Here you find a list of our distributors worldwide.
<https://www.wachendorff-automation.com/>



Wachendorff Automation GmbH & Co. KG
Industriestrasse 7 • 65366 Geisenheim
Germany

Phone: +49 67 22 / 99 65 25
Fax: +49 67 22 / 99 65 70
E-Mail: wdg@wachendorff.de
www.wachendorff-automation.de

