



Online Data sheet

Encoder WDGA 58B CANopen LIFT

www.wachendorff-automation.com/wdga58bcanlift

Wachendorff Automation

... systems and encoders

- Complete systems
- Industrial rugged encoders to suit your application
- Standard range and customer versions
- Maximum permissible loads
- 48-hour express production
- Made in Germany
- Worldwide distributor network

Encoder WDGA 58B absolute CANopen LIFT, with EnDra®-Technology



Illustration similar

EnDra®
Technologie

CANopen LIFT

- EnDra® maintenance-free and environmentally friendly
- CANopen LIFT, Single-turn/Multi-turn
- Communication Profile according to CiA 301
- Application Profile CANopen Lift CiA 417
- Single-turn/Multi-turn (16 bit / 32 bit)
- Future-oriented technology with 32 Bit processor
- 2-colour-LED as indicator for operating condition and error message appropriate CiA 303-3
- High shaft load up to 220 N [22.433 kp] radial, 120 N [12.236 kp] axial

www.wachendorff-automation.com/wdga58bcanlift

Mechanical Data

Flange	clamping flange
Flange material	aluminum
Housing material	stainless steel
Flange diameter	Ø 58 mm [Ø 2.283"]
Cam mounting	pitch 69 mm [2.717 inches]

Shaft(s)

Shaft material	stainless steel
Starting torque	approx. 1 Ncm [1.416 in-ozf] at ambient temperature

Shaft	Ø 6 mm [Ø 0.236"]
Advice	Attention: No option AAO = full IP67 version
Shaft length	L: 12 mm [0.472"]
Max. Permissible shaft loading radial	125 N [12.746 kp]
Max. Permissible shaft loading axial	120 N [12.236 kp]

Shaft	Ø 8 mm [Ø 0.315"]
Advice	Attention: No option AAO = full IP67 version
Shaft length	L: 19 mm [0.748"]
Max. Permissible shaft loading radial	125 N [12.746 kp]
Max. Permissible shaft loading axial	120 N [12.236 kp]

Shaft	Ø 9.525 mm [Ø 3/8"] Order No: 4Z
Advice	Attention: No option AAO = full IP67 version
Shaft length	L: 20 mm [0.787"]
Max. Permissible shaft loading radial	220 N [22.433 kp]
Max. Permissible shaft loading axial	120 N [12.236 kp]

Shaft	Ø 10 mm [Ø 0.394"]
Shaft length	L: 20 mm [0.787"]
Max. Permissible shaft loading radial	220 N [22.433 kp]
Max. Permissible shaft loading axial	120 N [12.236 kp]

Bearings

Bearings type	2 precision ball bearings
---------------	---------------------------

Nominale service life	1 x 10 ⁹ revs. at 100 % rated shaft load 1 x 10 ¹⁰ revs. at 40 % rated shaft load 1 x 10 ¹¹ revs. at 20 % rated shaft load
Max. operating speed	8000 rpm

Machinery Directive: basic data safety integrity level

MTTF _d	1000 a
Mission time (TM)	20 a
Nominale service life (L10h)	1 x 10 ¹¹ revs. at 20 % rated shaft load and 8000 rpm
Diagnostic coverage (DC)	0 %

Electrical Data

Power supply/Current consumption	4,75 VDC up to 32 VDC: typ. 50 mA
Power consumption	max. 0.5 W
Operating principle	magnetic

Sensor data

Single-turn technology	innovative hall sensor technology
Single-turn resolution	65,536 steps/360° (16 bit)
Single-turn accuracy	± 0.0878° (12 bit)
Single-turn repeat accuracy	± 0.0878° (12 bit)
Internal cycle time	600 µs
Multi-turn technology	patented EnDra® technology no battery and no gear.
Multi-turn resolution	up to 32 bit

Environmental data

ESD (DIN EN 61000-4-2):	8 kV
Burst (DIN EN 61000-4-4):	2 kV
Includes EMC:	DIN EN 61000-6-2 DIN EN 61000-6-3 DIN EN 61326-1
Vibration: (DIN EN 60068-2-6)	300 m/s ² (10 Hz up to 2000 Hz)
Shock: (DIN EN 60068-2-27)	5000 m/s ² (6 ms)
Electrical Safety:	According DIN VDE 0160
Turn on time:	<1,5 s

Duty information

Customs tariff number:	90318020
------------------------	----------

Country of origin:	Germany
--------------------	---------

Interface

Interface:	CAN
Protocol:	CANopen <ul style="list-style-type: none"> • Communication profil CiA 301 • Application Profile CANopen LIFT CiA 417 V2.0 • Up to three virtual devices <i>car position unit (configurable)</i>
Node number:	1 up to 127 (default 4)
Baud rate:	10 kBaud up to 1 MBaud with automatic bit rate detection.
Advice:	The standard settings as well as any customization in the software can be changed via LSS (CiA 305) and the SDO protocol, e. g. PDOs, Scaling, Heartbeat, Node-ID, Baud rate, etc.
Programmable CAN transmission modes:	<p>Synchronous mode: when a synchronisation telegram (SYNC) is received from another bus node, PDOs are transmitted independently.</p> <p>Asynchronous mode: a PDO message is triggered by an internal event. (e.g. change of measured valued, internal timer, etc.)</p>

General Data

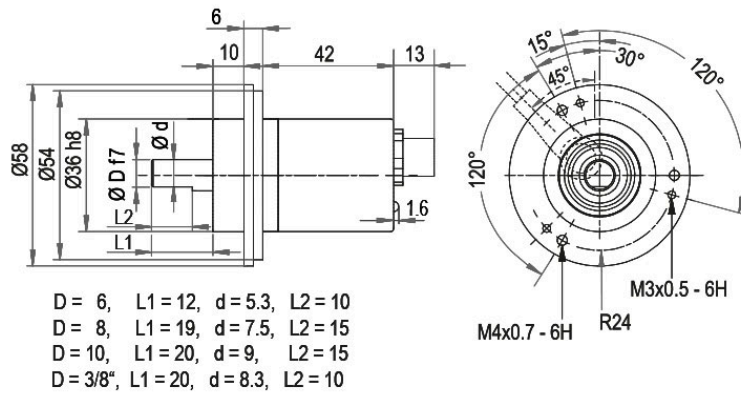
Weight	approx. 202 g [7.125 oz]
Connections	cable or connector outlet
Protection rating (EN 60529)	Housing: IP65, IP67; shaft sealed: IP65; cable outlet L1: IP40
Operating temperature	-40 °C up to +85 °C [-40 °F up to 185 °F]
Storage temperature	-40 °C up to +100 °C [-40 °F up to 212 °F]

More Information

General technical data and safety instructions
<http://www.wachendorff-automation.com/gtd>

Options
<http://www.wachendorff-automation.com/acc>

Connector, M12x1, axial, CB5, 5-pin

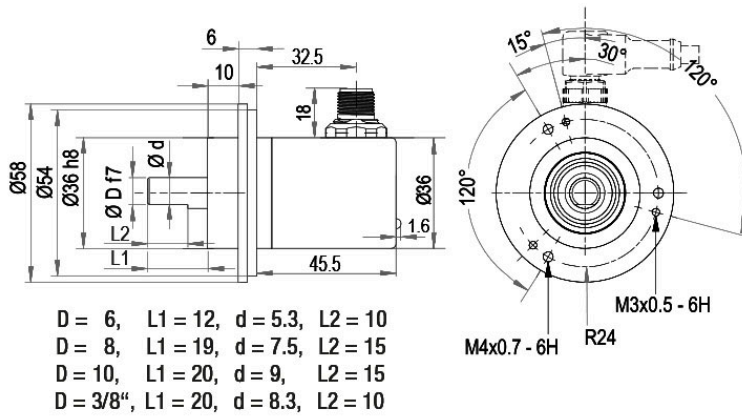


Description

CB5 axial, 5-pin, shield connected to encoder housing

Assignments	
	CB5
(+) Vcc	2
GND	3
CANHigh	4
CANLow	5
CANGND shield	1

Connector, M12x1, radial, CC5, 5-pin

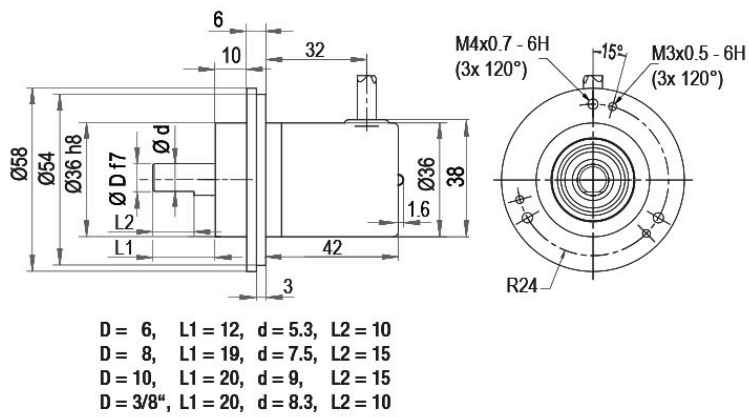


Description

CC5 radial, 5-pin, shield connected to encoder housing

Assignments	
	CC5
(+) Vcc	2
GND	3
CANHigh	4
CANLow	5
CANGND shield	1

Cable connection, L1 radial with 2 m cable (IP40)

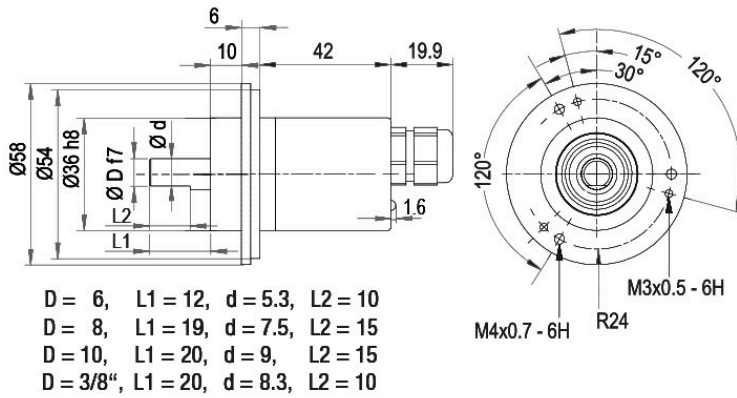


Description

L1 radial, shield connected to encoder housing (IP40)

Assignments	
	L1
(+) Vcc	BN
GND	WH
CANHigh	GN
CANLow	YE
CANGND shield	shield

Cable connection, L2 axial with 2 m cable

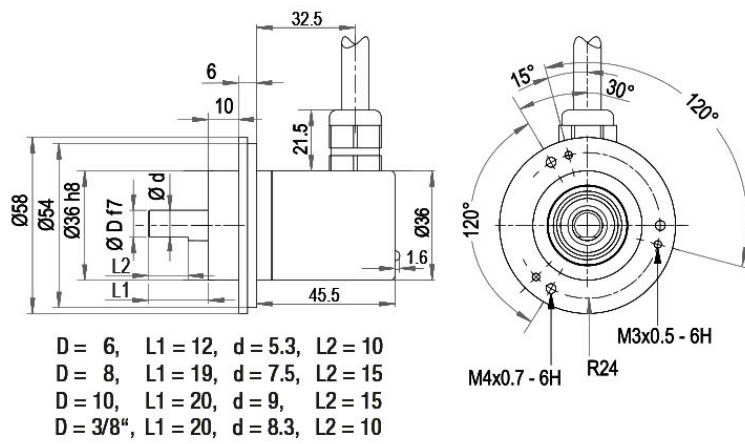


Description

L2 axial, shield connected to encoder housing

Assignments	
	L2
(+) Vcc	BN
GND	WH
CANHigh	GN
CANLow	YE
CANGND shield	shield

Cable connection, L3 radial with 2 m cable



Description

L3 radial, shield connected to encoder housing

Assignments	
	L3
(+) Vcc	BN
GND	WH
CANHigh	GN
CANLow	YE
CANGND shield	shield

Options

Low-friction bearings

Order key

The encoder WDGA 58B CANopen LIFT is also available as a particularly smooth-running low-friction encoder. The starting torque is thereby changed to 0.5 Ncm [0.708 in-ozf] and the protection class at the shaft input to IP50.

AAC

Shafts sealed to IP67, only with 10 mm shaft with flat

Order key

The encoder WDG 58B CANopen LIFT can be supplied in IP67 (full IP67 only connection CB5, CC5, L2 or L3 version; not cable connection L1 = IP40).
 Max. RPM: 3500 min⁻¹
 Permitted Shaft-Loading: axial 100 N; radial 110 N
 Starting-torque: approx. 4 Ncm at ambient temperature

AAO

120 Ohm terminating resistor

Order key

The encoder WDGA 58B CANopen LIFT is also available with fixed 120 Ohm terminating resistor.

AEO

Example Order No.	Type	Your encoder	
WDGA 58B	WDGA 58B	WDGA 58B	
Shaft		Order key	
06	Ø 6 mm [Ø 0.236"] Attention: No option AAO = full IP67 version	06	
	Ø 8 mm [Ø 0.315"] Attention: No option AAO = full IP67 version	08	
	Ø 9.525 mm [Ø 3/8"] Order No: 4Z Attention: No option AAO = full IP67 version	4Z	
	Ø 10 mm [Ø 0.394"]	10	
Single-turn Resolution		Order key	
12	Single-turn resolution 1 bit up to 16 bit, recommended min. 6 bit (e. G. 12 bit)	12	
Multi-turn Resolution		Order key	
18	Multi-turn resolution 1 bit up to 32 bit: (e. G. 18 bit) (Single-turn + Multi-turn max. 32 bit)	18	
Data protocol		Order key	
CL	CANopen LIFT	CL	CL
Software		Order key	
A	up to date release	A	A
Code		Order key	
B	binary	B	B
Power supply		Order key	
0	4.75 V up to 32 V (standard)	0	0
Galvanic isolation		Order key	
0	no	0	0
Electrical connections		Order key	
CB5	Cable:		
	radial, shield connected to encoder housing (IP40), with 2 m cable	L1	
	axial, shield connected to encoder housing, with 2 m cable	L2	
	radial, shield connected to encoder housing, with 2 m cable	L3	
	Connector:		
	sensor-connector, M12x1, 5-pin, axial, shield connected to encoder housing	CB5	
sensor-connector, M12x1, 5-pin, radial, shield connected to encoder housing	CC5		
Options		Order key	
	Low-friction bearings	AAC	
	Shafts sealed to IP67, only with 10 mm shaft with flat	AAO	
	120 Ohm terminating resistor	AEO	
	Without option	Empty	

Example Order No.	WDGA 58B	06	12	18	CL	A	B	0	0	CB5	
--------------------------	----------	----	----	----	----	---	---	---	---	-----	--

WDGA 58B					CL	A	B	0	0		Your encoder
----------	--	--	--	--	----	---	---	---	---	--	---------------------



For further information please contact our local distributor.
Here you find a list of our distributors worldwide.
<https://www.wachendorff-automation.com/contact-en/wachendorff-world-wide/>

WACHENDORFF

Wachendorff Automation GmbH & Co. KG
Industriestrasse 7 • 65366 Geisenheim
Germany

Phone: +49 67 22 / 99 65 25
E-Mail: wdg@wachendorff.de
www.wachendorff-automation.de

