



Online Data sheet

Encoder WDGA 36E CANopen

www.wachendorff-automation.com/wdga36ecan

Wachendorff Automation

... systems and encoders

- Complete systems
- Industrial rugged encoders to suit your application
- Standard range and customer versions
- Maximum permissible loads
- 48-hour express production
- Made in Germany
- Worldwide distributor network

Encoder WDGA 36E absolute CANopen, with EnDra®-Technology



Illustration similar

EnDra®
Technologie

CANopen®

- EnDra®: maintenance-free and environmentally friendly
- CANopen, Single-turn and Multi-turn
- Communication Profile according to CiA 301
- Device Profile for encoder CiA 406 V3.2 class C2
- Single-turn/Multi-turn (16 bit / 43 bit)
- Forward-looking technology with 32 Bit processor
- 2-colour-LED as indicator for operating condition and error message appropriate CiA 303-3

www.wachendorff-automation.com/wdga36ecan

Mechanical Data

Flange	hollow shaft (blind-bored)
Flange material	aluminum
Housing material	stainless steel
- 1. Spring plate compensation	axial: ±0.2 mm [0.0079"], radial: ±0.1 mm [0.0039"]
Flange diameter	Ø 36 mm [Ø 1.417"]

Shaft(s)

Starting torque	approx. 0.3 Ncm [0.425 in-ozf] at ambient temperature
-----------------	---

Shaft	Ø 6 mm [Ø 0.236"]
Insertion depth min.	8 mm [0.315"]
Insertion depth max.	17 mm [0.669"]
Max. Permissible shaft loading radial	80 N [8.157 kp]
Max. Permissible shaft loading axial	50 N [5.098 kp]

Shaft	Ø 6.35 mm [Ø 1/4"] Order No: 2Z
Insertion depth min.	8 mm [0.315"]
Insertion depth max.	17 mm [0.669"]
Max. Permissible shaft loading radial	80 N [8.157 kp]
Max. Permissible shaft loading axial	50 N [5.098 kp]

Bearings

Bearings type	2 precision ball bearings
Nominal service life	1.4 x 10 ⁸ revs. at 100 % rated shaft load 2 x 10 ⁹ revs. at 40 % rated shaft load 1.7 x 10 ¹⁰ revs. at 20 % rated shaft load
Max. operating speed	12000 rpm

Machinery Directive: basic data safety integrity level

MTTF _d	1000 a
Mission time (TM)	20 a
Nominal service life (L10h)	1.7 x 10 ¹⁰ revs. at 20 % rated shaft load and 12000 rpm
Diagnostic coverage (DC)	0 %

Electrical Data

Power supply/Current consumption	4,75 VDC up to 32 VDC: typ. 50 mA
Power consumption	max. 0.5 W

Operating principle	magnetic
---------------------	----------

Sensor data

Single-turn technology	innovative hall sensor technology
Single-turn resolution	65,536 steps/360° (16 bit)
Single-turn accuracy	± 0.0878° (12 bit)
Single-turn repeat accuracy	± 0.0878° (12 bit)
Internal cycle time	600 µs
Multi-turn technology	patented EnDra® technology no battery and no gear.
Multi-turn resolution	up to 32 bit with high precision value up to 43 bit.

Environmental data

ESD (DIN EN 61000-4-2):	8 kV
Burst (DIN EN 61000-4-4):	2 kV
Includes EMC:	DIN EN 61000-6-2 DIN EN 61000-6-3 DIN EN 61326-1
Vibration: (DIN EN 60068-2-6)	300 m/s ² (10 Hz up to 2000 Hz)
Shock: (DIN EN 60068-2-27)	5000 m/s ² (6 ms)
Electrical Safety:	According DIN VDE 0160
Turn on time:	<1,5 s

Duty information

Customs tariff number:	90318020
Country of origin:	Germany

Interface

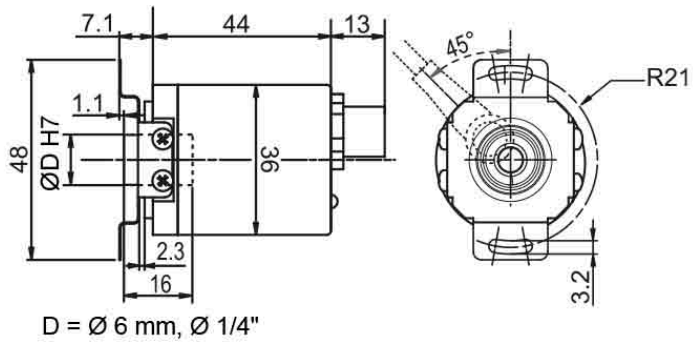
Interface:	CAN
Protocol:	CANopen <ul style="list-style-type: none"> • Communication profil CiA 301 • Device Profile for encoder CiA 406 V3.2 class C2
Node number:	1 up to 127 (default 127)
Baud rate:	10 kBaud up to 1 MBaud with automatic bit rate detection.
Advice:	The standard settings as well as any customization in the software can be changed via LSS (CiA 305) and the SDO protocol, e. g. PDOs, Scaling, Heartbeat, Node-ID, Baud rate, etc.

Programmable CAN transmission modes:	<p>Synchronous mode: when a synchronisation telegram (SYNC) is received from another bus node, PDOs are transmitted independently.</p> <p>Asynchronous mode: a PDO message is triggered by an internal event. (e.g. change of measured valued, internal timer, etc.)</p>
--------------------------------------	--

General Data	
Weight	approx. 110 g [3.88 oz]
Connections	cable or connector outlet
Protection rating (EN 60529)	Housing: IP65, IP67; shaft sealed: IP65; cable outlet L1: IP40, K6: IP20
Operating temperature	-40 °C up to +85 °C [-40 °F up to 185 °F]
Storage temperature	-40 °C up to +100 °C [-40 °F up to 212 °F]

More Information	
General technical data and safety instructions http://www.wachendorff-automation.com/gtd	
Options http://www.wachendorff-automation.com/acc	

Connector, M12x1 CB5 axial, 5-pin

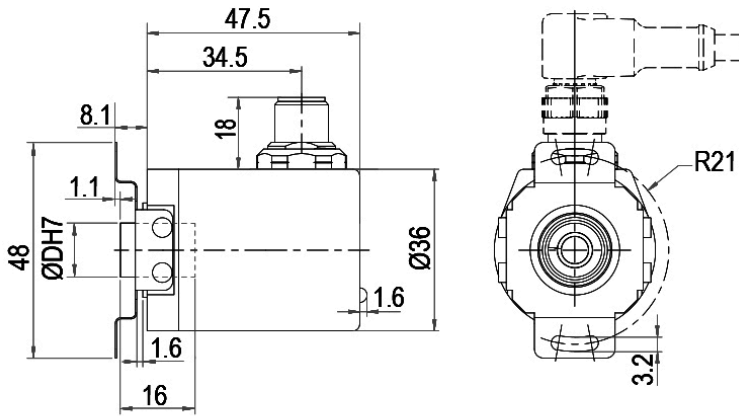


Description

CB5 axial, 5-pin, shield connected to encoder housing

Assignments	
	CB5
(+) Vcc	2
GND	3
CANHigh	4
CANLow	5
CANGND shield	1

Connector, M12x1 CC5 radial, 5-pin



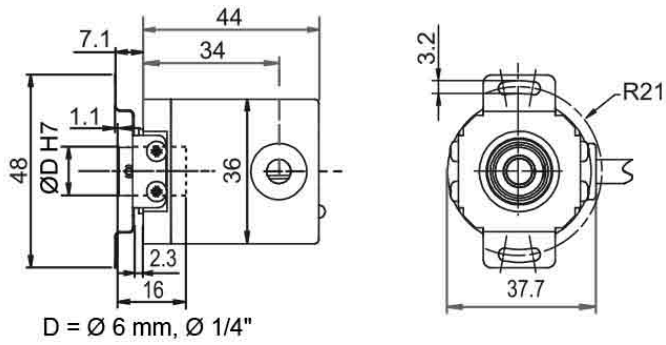
D = Ø 6 mm, Ø 1/4"

Description

CC5 radial, 5-pin, shield connected to encoder housing

Assignments	
	CC5
(+) Vcc	2
GND	3
CANHigh	4
CANLow	5
CANGND shield	1

Cable connection, L1 radial with 2 m cable (IP40)

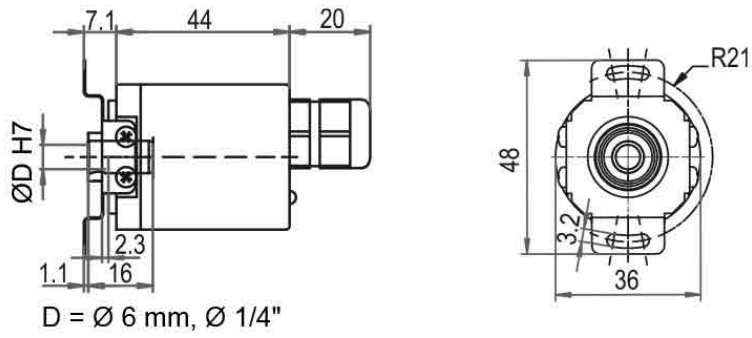


Description

L1 radial, shield connected to encoder housing (IP40)

Assignments	
	L1
(+) Vcc	BN
GND	WH
CANHigh	GN
CANLow	YE
CANGND shield	shield

Cable connection, L2 axial with 2 m cable

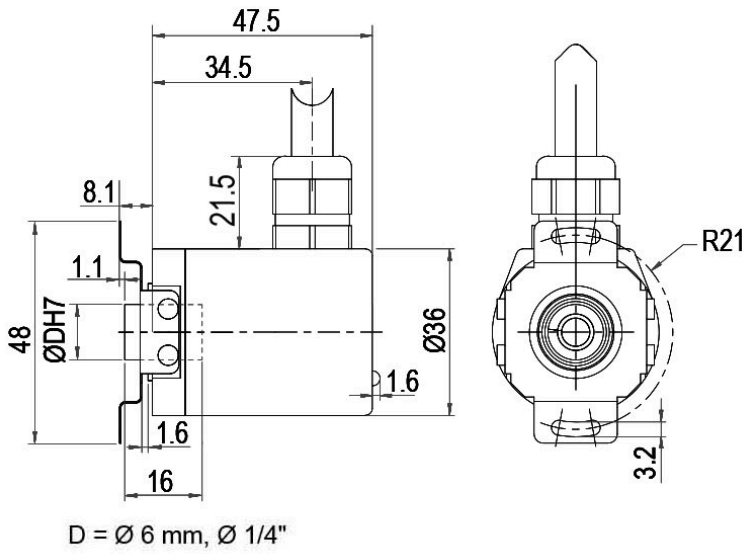


Description

L2 axial, shield connected to encoder housing

Assignments	
	L2
(+) Vcc	BN
GND	WH
CANHigh	GN
CANLow	YE
CANGND shield	shield

Cable connection, L3 radial with 2 m cable

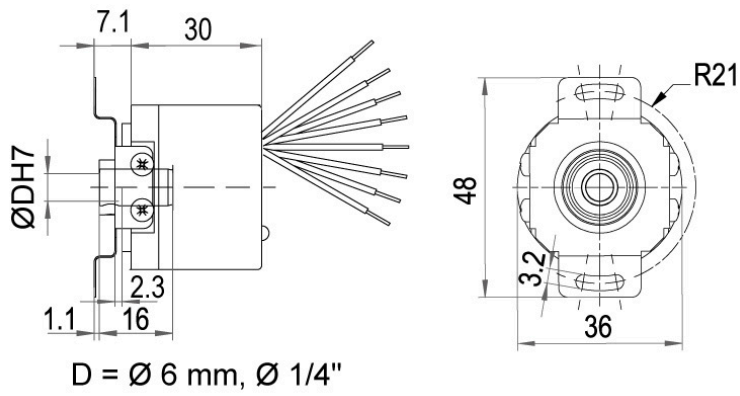


Description

L3 radial, shield connected to encoder housing

Assignments	
	L3
(+) Vcc	BN
GND	WH
CANHigh	GN
CANLow	YE
CANGND shield	shield

Cable connection, K6 (IP20)



Description

K6 axial, shield not connected

Assignments	
	K6
(+) Vcc	BN
GND	WH
CANHigh	GN
CANLow	YE
CANGND	GY
shield	

Options

Low-friction bearings

The encoder WDGA 36E CANopen is also available as a particularly smooth-running low-friction encoder. The starting torque is thereby changed to 0.25 Ncm [0.354 in-ozf] and the protection class at the shaft input to IP50.

Order key

AAC

120 Ohm terminating resistor

The encoder WDGA 36E CANopen is also available with fixed 120 Ohm terminating resistor.

Order key

AEO

Example Order No.	Type	Your encoder	
WDGA 36E	WDGA 36E	WDGA 36E	
	Shaft	Order key	
06	∅ 6 mm [∅ 0.236"]	06	
	∅ 6.35 mm [∅ 1/4"] Order No: 2Z	2Z	
	Single-turn Resolution	Order key	
12	Single-turn resolution 1 bit up to 16 bit, recommended min. 6 bit (e. G. 12 bit)	12	
	Multi-turn Resolution	Order key	
18	Multi-turn resolution: (examples) 18 bit = 18 43 bit = 43 no Multiturn = 00	18	
	Data protocol	Order key	
CO	CANopen	CO	CO
	Software	Order key	
A	up to date release	A	A
	Code	Order key	
B	binary	B	B
	Power supply	Order key	
0	4.75 V up to 32 V (standard)	0	0
	Galvanic isolation	Order key	
0	no	0	0
	Electrical connections	Order key	
CB5	Cable:		
	radial, shield connected to encoder housing (IP40), with 2 m cable	L1	
	axial, shield connected to encoder housing, with 2 m cable	L2	
	radial, shield connected to encoder housing, with 2 m cable	L3	
	axial, shield not connected, IP20, with 8 cm loose wires	K6	
	Connector:		
	sensor-connector, M12x1, 5-pin, axial, shield connected to encoder housing	CB5	
	sensor-connector, M12x1, 5-pin, radial, shield connected to encoder housing	CC5	
	Options	Order key	
	Low-friction bearings	AAC	
	120 Ohm terminating resistor	AEO	
	Without option	Empty	

Example Order No.	WDGA 36E	06	12	18	CO	A	B	0	0	CB5	
-------------------	----------	----	----	----	----	---	---	---	---	-----	--

WDGA 36E				CO	A	B	0	0			Your encoder
----------	--	--	--	----	---	---	---	---	--	--	--------------



For further information please contact our local distributor.
Here you find a list of our distributors worldwide.
<https://www.wachendorff-automation.com/contact-en/wachendorff-world-wide/>

WACHENDORFF

Wachendorff Automation GmbH & Co. KG
Industriestrasse 7 • 65366 Geisenheim
Germany

Phone: +49 67 22 / 99 65 25
E-Mail: wdg@wachendorff.de
www.wachendorff-automation.de

