



Online Data sheet

Encoder WDGA 58E CANopen galv. isolation

www.wachendorff-automation.com/wdga58ecangalv

Wachendorff Automation

... systems and encoders

- Complete systems
- Industrial rugged encoders to suit your application
- Standard range and customer versions
- Maximum permissible loads
- 48-hour express production
- Made in Germany
- Worldwide distributor network

Encoder WDGA 58E absolute CANopen, galv. isolation, with EnDra®- Technology



EnDra®
Technologie

CANopen®

- EnDra®: maintenance-free and environmentally friendly
- CANopen, Single-turn/Multi-turn
- Galvanic isolation
- Communication Profile according to CiA 301
- Device Profile for encoder CiA 406 V3.2 class C2
- Single-turn/Multi-turn (16 bit/43 bit)
- Forward-looking technology with 32 Bit processor
- 2-colour-LED as indicator for operating condition and error message appropriate CiA 303-3

www.wachendorff-automation.com/wdga58ecangalv

Illustration similar

Mechanical Data	
Flange	hollow shaft (blind-bored)
Flange material	aluminum
Housing material	steel case chrome-plated, magnetic shielding
Torque supports	incl. 1 torque support WDGDS10019
- 1. Spring plate compensation	axial: ±1.2 mm [0.0472"], radial: ±0.2 mm [0.0079"]
- Max. operating speed	6000 rpm up to max. protection rating +80 °C
Flange diameter	Ø 58 mm [Ø 2.283"]
Shaft(s)	
Shaft material	stainless steel
Starting torque	approx. 1.6 Ncm [2.266 in-ozf] at ambient temperature
Fixing	permanently attached clamping ring
Shaft	Ø 6 mm [Ø 0.236"]
Advice	with adapter sleeve
Shaft length	L: 17 mm [0.669"]
Insertion depth min.	10 mm [0.394"]
Insertion depth max.	19 mm [0.748"]
Max. Permissible shaft loading radial	80 N [8.157 kp]
Max. Permissible shaft loading axial	50 N [5.098 kp]
Shaft	Ø 6.35 mm [Ø 1/4"] Order No: 2Z
Advice	with adapter sleeve
Shaft length	L: 17 mm [0.669"]
Insertion depth min.	10 mm [0.394"]
Insertion depth max.	19 mm [0.748"]
Max. Permissible shaft loading radial	80 N [8.157 kp]
Max. Permissible shaft loading axial	50 N [5.098 kp]
Shaft	Ø 7 mm [Ø 0.276"]
Advice	with adapter sleeve
Shaft length	L: 17 mm [0.669"]
Insertion depth min.	10 mm [0.394"]
Insertion depth max.	19 mm [0.748"]
Max. Permissible shaft loading radial	80 N [8.157 kp]
Max. Permissible shaft loading axial	50 N [5.098 kp]

Shaft	Ø 8 mm [Ø 0.315"]
Advice	with adapter sleeve
Shaft length	L: 17 mm [0.669"]
Insertion depth min.	10 mm [0.394"]
Insertion depth max.	19 mm [0.748"]
Max. Permissible shaft loading radial	80 N [8.157 kp]
Max. Permissible shaft loading axial	50 N [5.098 kp]
Shaft	Ø 9.525 mm [Ø 3/8"] Order No: 4Z
Advice	with adapter sleeve
Shaft length	L: 17 mm [0.669"]
Insertion depth min.	10 mm [0.394"]
Insertion depth max.	19 mm [0.748"]
Max. Permissible shaft loading radial	80 N [8.157 kp]
Max. Permissible shaft loading axial	50 N [5.098 kp]
Shaft	Ø 10 mm [Ø 0.394"]
Advice	with adapter sleeve
Shaft length	L: 17 mm [0.669"]
Insertion depth min.	10 mm [0.394"]
Insertion depth max.	19 mm [0.748"]
Max. Permissible shaft loading radial	80 N [8.157 kp]
Max. Permissible shaft loading axial	50 N [5.098 kp]
Shaft	Ø 12 mm [Ø 0.472"]
Shaft length	L: 17 mm [0.669"]
Insertion depth min.	10 mm [0.394"]
Insertion depth max.	19 mm [0.748"]
Max. Permissible shaft loading radial	80 N [8.157 kp]
Max. Permissible shaft loading axial	50 N [5.098 kp]
Shaft	Ø 12.7 mm [Ø 1/2"] Order No. 3Z
Advice	with adapter sleeve
Shaft length	L: 17 mm [0.669"]
Insertion depth min.	10 mm [0.394"]
Insertion depth max.	19 mm [0.748"]
Max. Permissible shaft loading radial	80 N [8.157 kp]
Max. Permissible shaft loading axial	50 N [5.098 kp]

Shaft	Ø 14 mm [Ø 0.551"]
Shaft length	L: 17 mm [0.669"]
Insertion depth min.	10 mm [0.394"]
Insertion depth max.	19 mm [0.748"]
Max. Permissible shaft loading radial	80 N [8.157 kp]
Max. Permissible shaft loading axial	50 N [5.098 kp]

Shaft	Ø 15 mm [Ø 0.591"]
Shaft length	L: 17 mm [0.669"]
Insertion depth min.	10 mm [0.394"]
Insertion depth max.	19 mm [0.748"]
Max. Permissible shaft loading radial	80 N [8.157 kp]
Max. Permissible shaft loading axial	50 N [5.098 kp]

Bearings

Bearings type	2 precision ball bearings
Nominal service life	1 x 10 ⁹ revs. at 100 % rated shaft load 1 x 10 ¹⁰ revs. at 40 % rated shaft load 1 x 10 ¹¹ revs. at 20 % rated shaft load
Max. operating speed	6000 rpm

Electrical Data

Power supply/Current consumption	10 VDC up to 32 VDC: typ. 100 mA
Power consumption	max. 1 W
Operating principle	magnetic

Sensor data

Single-turn technology	innovative hall sensor technology
Single-turn resolution	65,536 steps/360° (16 bit)
Single-turn accuracy	± 0.0878° (12 bit)
Single-turn repeat accuracy	± 0.0878° (12 bit)
Internal cycle time	600 µs
Multi-turn technology	patented EnDra® technology no battery and no gear.
Multi-turn resolution	up to 32 bit with high precision value up to 43 bit.

Environmental data

ESD (DIN EN 61000-4-2):	8 kV
Burst (DIN EN 61000-4-4):	2 kV
includes EMC:	DIN EN 61000-6-2 DIN EN 61000-6-3 DIN EN 61326-1
Vibration: (DIN EN 60068-2-6)	50 m/s ² (10 Hz up to 2000 Hz)
Shock: (DIN EN 60068-2-27)	5000 m/s ² (6 ms)
Electrical Safety:	according DIN VDE 0160
Turn on time:	<1,5 s

Duty information

Customs tariff number:	90318020
Country of origin:	Germany

Interface

Interface:	CAN
Protocol:	CANopen <ul style="list-style-type: none"> • Communication profile CiA 301 • Device Profile for encoder CiA 406 V3.2 class C2
Node number:	1 up to 127 (default 127)
Baud rate:	50 kBaud up to 1 MBaud with automatic bit rate detection.
Advice:	The standard settings as well as any customization in the software can be changed via LSS (CiA 305) and the SDO protocol, e. g. PDOs, Scaling, Heartbeat, Node-ID, Baud rate, etc.
Programmable CAN transmission modes:	Synchronous mode: when a synchronisation telegram (SYNC) is received from another bus node, PDOs are transmitted independently. Asynchronous mode: a PDO message is triggered by an internal event. (e.g. change of measured value, internal timer, etc.)

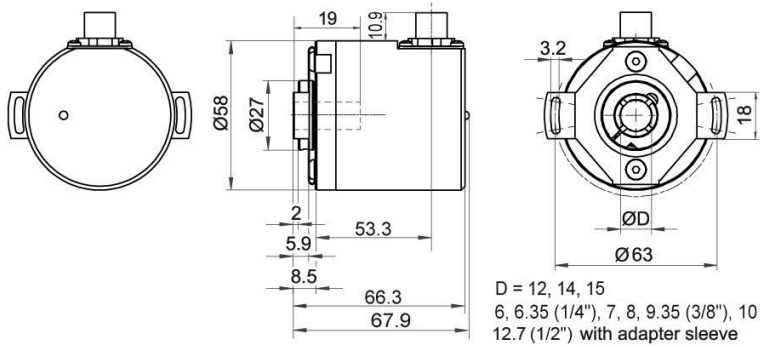
General Data

Weight	approx. 410 g [14.462 oz]
Connections	cable or connector outlet
Protection rating (EN 60529)	Housing: IP65, IP67; shaft sealed: IP65
Operating temperature	-40 °C up to +85 °C [-40 °F up to 185 °F]
Storage temperature	-40 °C up to +100 °C [-40 °F up to 212 °F]

More Information

General technical data and safety instructions
<http://www.wachendorff-automation.com/gtd>
Options
<http://www.wachendorff-automation.com/acc>

WDGA 58E CANopen galv. isolation with M12x1, radial CC5, 5-pin

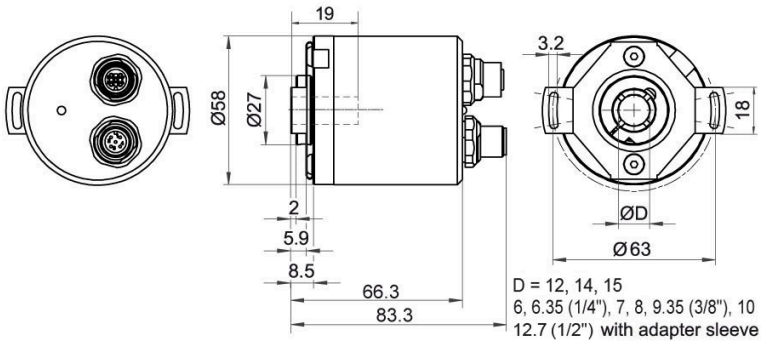


Description

CC5 radial, 5-pin, shield connected to encoder housing

Assignments	
	<p>CC5</p>
(+) Vcc	2
GND	3
CANHigh	4
CANLow	5
CANGND shield	1

WDGA 58E CANopen galv. isolation with 2x M12x1, axial DB5, 5-pin



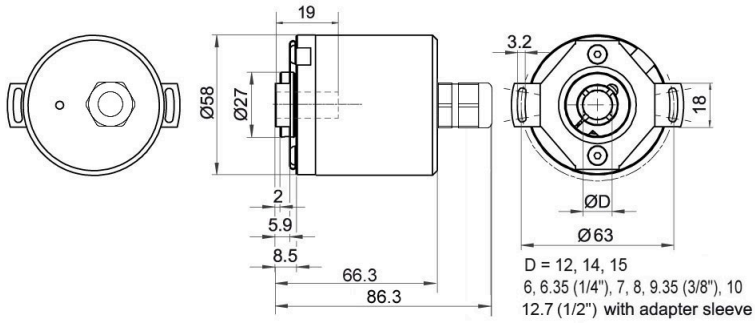
Description

DB5 axial, 5-pin, shield connected to encoder housing

Assignments	
Female connector	M12x1, 5-pin
(+) Vcc	2
GND	3
CANHigh	4
CANLow	5
CANGND shield	1

Assignments	
Connector	M12x1, 5-pin
(+) Vcc	2
GND	3
CANHigh	4
CANLow	5
CANGND shield	1

WDGA 58E CANopen, galv. isolation, cable connection, L2 axial with 2 m cable

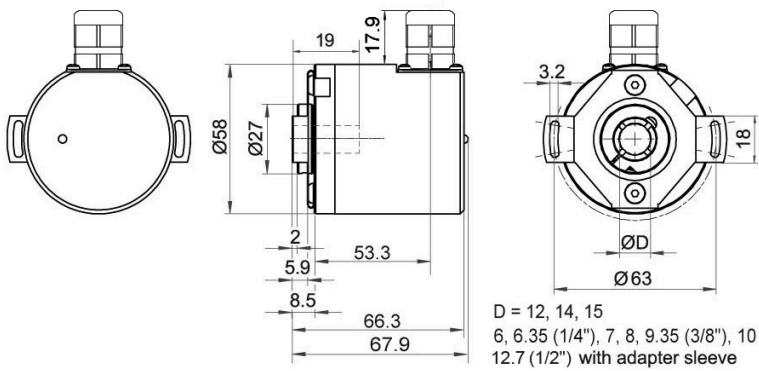


Description

L2 axial, shield connected to encoder housing

Assignments	
	L2
(+) Vcc	BN
GND	WH
CANHigh	GN
CANLow	YE
CANGND	shield
shield	

WDGA 58E CANopen, galv. isolation, cable connection, L3 radial with 2 m cable



Description

L3 radial, shield connected to encoder housing

Assignments	
	L3
(+) Vcc	BN
GND	WH
CANHigh	GN
CANLow	YE
CANGND shield	shield

Options**Low-friction bearings****Order key**

The encoder WDGA 58E CANopen galv. isolation is also available as a particularly smooth-running low-friction encoder. The starting torque is thereby changed to approx. 0.6 Ncm [0.85 in-ozf] at ambient temperature and the protection class at the shaft input to IP50.

AAC**120 Ohm terminating resistor****Order key**

The encoder WDGA 58E CANopen galv. is also available with fixed 120 Ohm terminating resistor.

AEO

Example Order No.	Type	Your encoder	
WDGA 58E	WDGA 58E	WDGA 58E	
	Shaft	Order key	
12	Ø 6 mm [Ø 0.236"] with adapter sleeve	06	
	Ø 6.35 mm [Ø 1/4"] Order No: 2Z with adapter sleeve	2Z	
	Ø 7 mm [Ø 0.276"] with adapter sleeve	07	
	Ø 8 mm [Ø 0.315"] with adapter sleeve	08	
	Ø 9.525 mm [Ø 3/8"] Order No: 4Z with adapter sleeve	4Z	
	Ø 10 mm [Ø 0.394"] with adapter sleeve	10	
	Ø 12 mm [Ø 0.472"]	12	
	Ø 12.7 mm [Ø 1/2"] Order No. 3Z with adapter sleeve	3Z	
	Ø 14 mm [Ø 0.551"]	14	
	Ø 15 mm [Ø 0.591"]	15	
	Single-turn Resolution	Order key	
12	Single-turn resolution 1 bit up to 16 bit, recommended min. 6 bit (e. G. 12 bit)	12	
	Multi-turn Resolution	Order key	
18	Multi-turn resolution: (examples) 18 bit = 18 43 bit = 43 no Multiturn = 00	18	
	Data protocol	Order key	
CO	CANopen (galv. isolation)	CO	CO
	Software	Order key	
A	up to date release	A	A
	Code	Order key	
B	binary	B	B
	Power supply	Order key	
0	10 V up to 32 V (standard)	0	0
	Galvanic isolation	Order key	
1	yes	1	1
	Electrical connections	Order key	
CB5	Cable:		
	axial, shield connected to encoder housing, with 2 m cable	L2	
	radial, shield connected to encoder housing, with 2 m cable	L3	
	Connector:		
	sensor-connector, M12x1, 5-pin, axial, shield connected to encoder housing	CB5	
	sensor-connector, M12x1, 5-pin, radial, shield connected to encoder housing	CC5	
sensor-connector/female connector, 2x M12x1, 5-pin, axial, shield connected to encoder housing	DB5		
	Options	Order key	
	Low-friction bearings	AAC	
	120 Ohm terminating resistor	AEO	
	Without option	Empty	

Example Order No.	WDGA 58E	12	12	18	CO	A	B	0	1	CB5	
--------------------------	----------	----	----	----	----	---	---	---	---	-----	--

WDGA 58E				CO	A	B	0	1			Your encoder
----------	--	--	--	----	---	---	---	---	--	--	---------------------



For further information please contact our local distributor.
Here you find a list of our distributors worldwide.
<https://www.wachendorff-automation.com/contact-en/wachendorff-world-wide/>

WACHENDORFF

Wachendorff Automation GmbH & Co. KG
Industriestrasse 7 • 65366 Geisenheim
Germany

Phone: +49 67 22 / 99 65 25
E-Mail: wdg@wachendorff.de
www.wachendorff-automation.de

