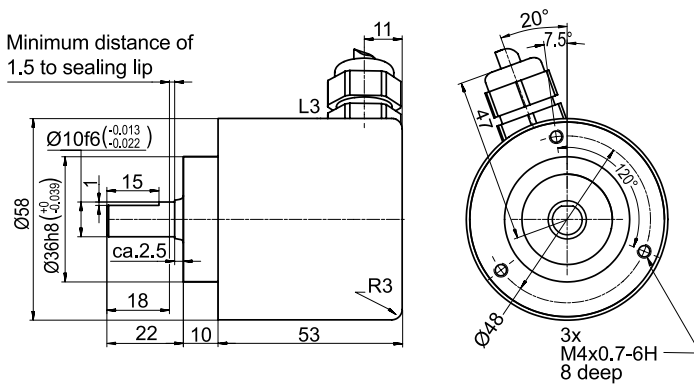




**Connection configuration radial**

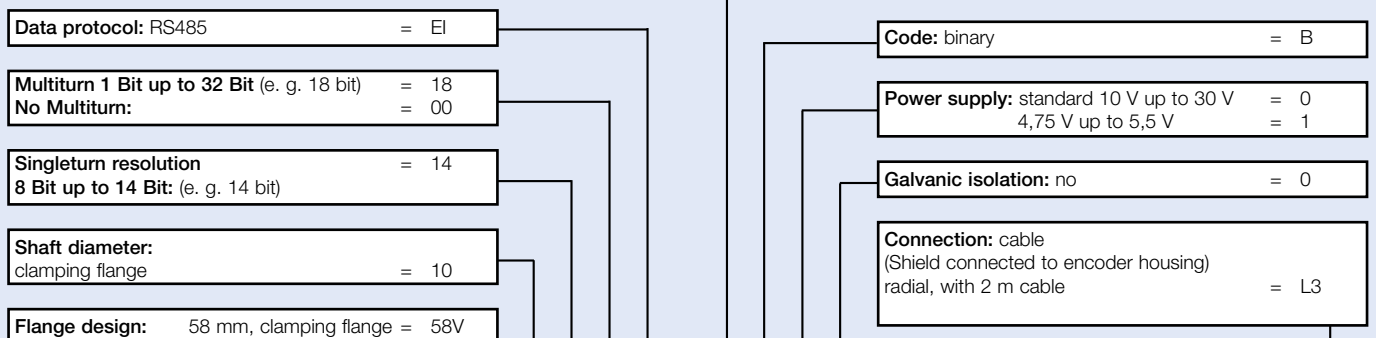
connection	cable outlet
Description	L3, radial
S- (GND)	og
S+ (DCin)	bn
A (DATA+)	gy
B (DATA-)	pk
PRESET	bu
DIR	rd
Shield	housing

**Cable connection L3 with 2 m cable**



All dimensional specifications in mm.

**Ordering information:**



**Order-No.:**

Example	WDGA	58V	10	14	18	EI	A	B	0	0	L3
Your encoder	WDGA	58V	10			EI	A	B		0	L3