

Encoder WDG 58T



Available ex-stock

- Rugged industrial standard encoder
- All-purpose encoder
- Protection to IP50, shaft sealed to IP54
- Highest mechanical safety

www.wachendorff-automation.com/wdg58t

Available PPR 360 PPR, 500 PPR, 1024 PPR

Mechanical Data

Housing

- Clamping flange: Aluminium
- Cap: Aluminium
- Cam mounting: pitch 69 mm

Shaft

- Material: Ø 10 mm stainless steel
- Permitted load on shaft end: max. 220 N radial, max. 120 N axial
- Starting torque: approx. 1 Ncm at ambient temperature

Bearings

- Type: 2 precision ball bearings
- Service life: 1 x 10⁹ revs. at 100 % rated shaft load, 1 x 10¹⁰ revs. at 40 % rated shaft load, 1 x 10¹¹ revs. at 20 % rated shaft load

Max. operating speed: 8000 rpm

Weight: approx. 250 g

Connections: radial cable outlet, 1 m, shield not connected (Order key: K1)

Protection rating: IP50, shaft sealed to IP54 (EN 60529)

Operating temperature: -10 °C up to +70 °C

Storage temperature: -30 °C up to +80 °C

Machinery Directive: basic data safety integrity level

MTTF_d: 200 a

Mission time (T_M): 25 a

Nominale service life 1 x 10¹¹ revs. at 8000 rpm and 20 % rated

(L_{10h}): shaft load

Diagnostic coverage (DC): 0 %

Electrical Data

Power supply/ 5 VDC up to 30 VDC: max. 70 mA

Open circuit current consumption: (Order key R30)

Output circuit: HTL inverted (without light reserve warning)

Pulse frequency: max. 150 kHz

Channels: ABN and inverted signals

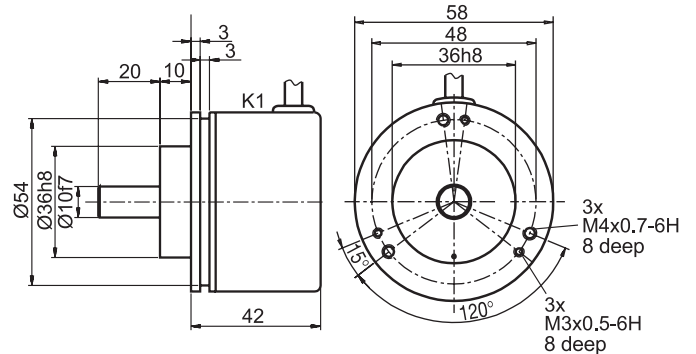
Load: max. 40 mA/channel

Circuit protection: inverse-polarity protection only

Accuracy: Phase offset: 90° ± max. 7.5 % of the pulse length

pulse-/pause-ratio: 50 % ± max. 7 %

Cable connection K1 with 1 m cable



All dimensional specifications in mm.

Further technical information on:

www.wachendorff-automation.com/gtd

Matching accessories on:

www.wachendorff-automation.com/acs

Ordering information:

Pulses per revolution PPR: 360, 500, 1024

Order No.:

| | | | | | |
|--------------|---------|-----|-----|-----|----|
| Example | WDG 58T | 500 | ABN | R30 | K1 |
| Your encoder | WDG 58T | | ABN | R30 | K1 |